

Technical Information

Steering

OSPE Steering Valve



Revision history

Table of revisions

Date	Changed	Rev
November 2016	Minor updates	0503
July 2016	Corrected drawing of OSPEC LSRM with PVED-CLS in a system with variable pump, GPS receiver, joystick and mini wheel	0502
February 2016	Updated with PVED-CLS content; removed SASA information	0501
May 2015	Dimension drawing updated	DB
July 2014	Changed to Danfoss layout	DA
July 2011	Flow characteristics added	CA
October 2009	Major change	BA
August 2009	First edition	AA

Contents

A wide range of Steering Components

Conversion factors.....	5
Survey of literature with technical data on Danfoss Steering Components.....	5

General

General steering valve type OSPE.....	6
---------------------------------------	---

Versions

Overview.....	7
OSPEC LSRM with PVED-CLS.....	8
OSPEF LS with PVED-CLS.....	9
OSPEDC LSRM with PVES.....	10
OSPEDF LS with PVES.....	11

PVED-CL/CLS

Function

OSPE steering valve.....	13
OSPEC LSRM with PVED-CLS.....	14
Neutral position.....	14
Steering right with steering wheel.....	16
Steering right with EH.....	18
PVES and PVED-CLS, electrical actuation.....	19
Closed loop control.....	19
Principle.....	19
Inductive transducer, LVDT.....	20
Integrated pulse width modulation.....	20

Technical data

OSPE.....	21
Weights.....	21
PVES.....	22
PVED-CLS.....	23
Hysteresis, PVES and PVED-CLS.....	23
PVES.....	23
Coil of control valve for mode select.....	24

Dimensioning

Dimensioning steering system with OSPE steering valve.....	27
--	----

Technical characteristics

EH-directional spools of OSPE.....	28
Pilot pressure relief valve: (P - T, Qp) characteristic.....	28
Pressure drop P-EF for Danfoss OSPE valve.....	29

Dimensions

OSPE dimensions with PVED-CLS.....	30
OSPE dimensions with PVED-CC/CL.....	31

Hydraulic systems

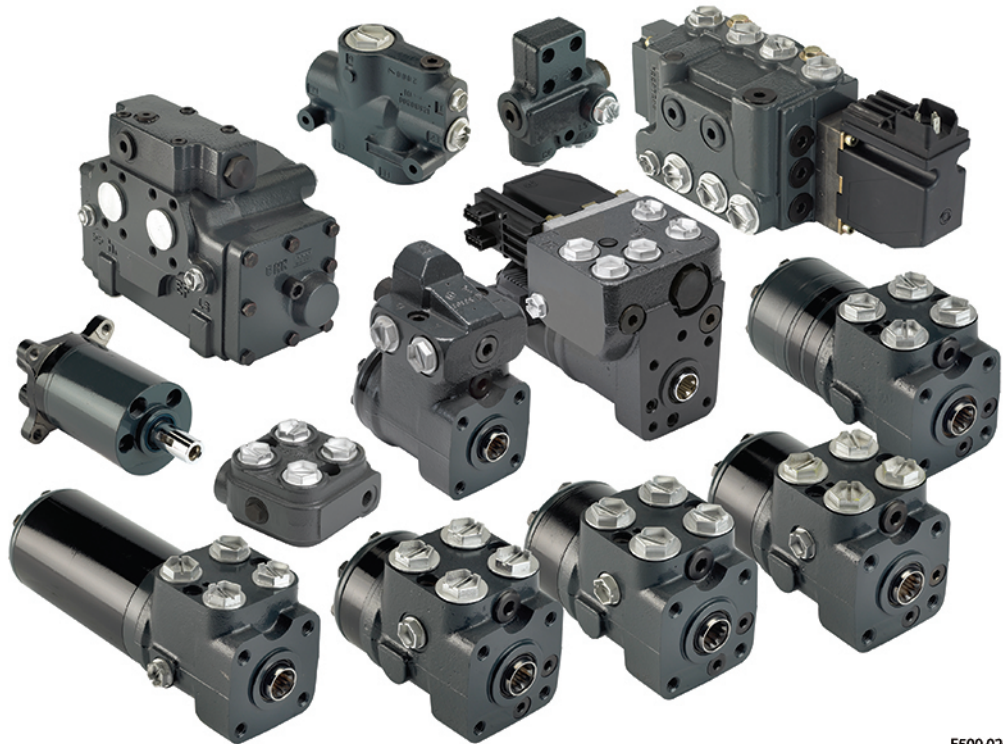
System safety

Emergency steering.....	35
OSPE and system safety PVES	35
Safety considerations.....	36

Order specification

Variants and order specification.....	37
Code numbers.....	38

A wide range of Steering Components



F500 026

Danfoss is one of the largest producers in the world of steering components for hydrostatic steering systems on off-road vehicles. Danfoss offers steering solutions both at component and system levels. Our product range makes it possible to cover applications of all types - ranging from ordinary 2-wheel steering (also known as Ackermann steering) to articulated steering, automatic steering (e.g. by sensor) and remote controlled steering via satellite. We can offer more than 1,800 different steering units and 250 different priority valves categorized in types, variants and sizes.

For hydrostatic steering systems Danfoss offers:

- Mini steering units with displacements from 32 to 100 cm³/rev [1.95 to 6.10 in³/rev], flow up to 20 l/min [5.28 US gal/min], steering pressure up to 140 bar [2030 psi].
- Steering units with displacements from 40 to 1200 cm³/rev [2.44 to 73.2 in³/rev], flow up to 100 l/min [26.4 US gal/min, steering pressure up to 240 bar [3481 psi].
- Priority valves for rated flows at 40, 80, 120, 160 and 320 l/min [10.6, 21.1, 31.7, 42.3 and 84.5 US gal/min], pressure up to 350 bar [5076 psi].
- Pilot operated flow-amplifiers with amplification factors of 4, 5, 8, 10 or 20 for rated oil flows of 240 and 400 l/min [63.4 and 105.7 US gal/min], steering pressure up to 210 bar [3045 psi].
- Pilot operated steering valve with steering flow up to 100 l/min [26.4 US gal/min], steering pressure up to 250 bar [3625 psi] and with integrated priority valve for pump flow up to 120 l/min [31.7 US gal/min].

For electrohydraulic steering systems Danfoss offers:

- Pilot operated steering valves (pilot operated by hydrostatic steering unit or by electrical signal) with steering flows up to 100 l/min [26.4 US gal/min], steering pressure up to 250 bar [3625 psi].
- Steering units with integrated electrical operated steering valve with steering flow up to 50 l/min [13.2 US gal/min], steering pressure up to 210 bar [3045 psi].

A wide range of Steering Components

Characteristic features for steering units:

- Low steering torque: From 0.5 N•m to 3 N•m in normal steering situations
- Low noise level
- Low pressure drop
- Many types available: Open center Non-reaction, Open center Reaction, Power Beyond, Closed center Non-reaction, Load Sensing, Load Sensing Reaction
- One or more built-in valve functions: relief valve, shock valves, suction valves, non-return valve in P-line and in LS-line
- Optional port connections (according to ISO, SAE or DIN standards)

Characteristic features for electrohydraulic steering systems with OSPE and EHPS:

- Possibility of GPS, row sensor, variable steering ratio and joystick steering
- The possibility of manual steering even on very heavy vehicles
- EHPS: High steering pressure requiring smaller cylinders and flow
- EHPS: Low pilot pressure and flow giving extremely low noise in the cabin
- EHPS: Can be combined with Danfoss PVG 32 proportional valve

Conversion factors

$$1 \text{ N}\cdot\text{m} = [8.851 \text{ lbf}\cdot\text{in}]$$

$$1 \text{ N} = [0.2248 \text{ lbf}]$$

$$1 \text{ mm} = [0.0394 \text{ in}]$$

$$1 \text{ cm}^3 = [0.061 \text{ in}^3]$$

$$1 \text{ l} = [0.264 \text{ US gal}]$$

$$1 \text{ bar} = [14.5 \text{ psi}]$$

$$^{\circ}\text{F} = [1.8^{\circ}\text{C} + 32]$$

Survey of literature with technical data on Danfoss Steering Components

Detailed data on all Danfoss steering components and accessories can be found in our steering component catalogues, which is divided in to the following individual sub catalogues:

General information	Steering components
Technical data on mini steering units	OSPM
Technical data on open center, and closed center steering units	OSPB, OSPC, and OSPD
Technical data on load sensing steering units, priority valves and flow amplifiers	OSPB, OSPC, OSPF, OSPD, OSPL, OSPBX, OSPLX, OVPL, OLS and OSQ
Technical data on hydraulic and electrohydraulic pilot operated steering valves, electrical actuation modules and appropriate steering units.	EHPS, EHPS w. OLS 320, PVE for EHPS and OSPCX
Technical data on combined steering unit/electrohydraulic steering valves and steering wheel sensors	OSPE
	SASA
Technical data on load sensing steering unit with amplification	OSPU

For technical information on individual variants, please contact the Danfoss Sales Organization.

General

General steering valve type OSPE

On tractors, combine harvesters, maize harvesters and other simulate vehicles there is often a need for electrically actuated steering to make automatic GPS controlled steering possible. Also manual steering with variable ratio is an often wanted feature to improve productivity and driver comfort.

For this purpose Danfoss has developed a combined steering unit and electro hydraulic steering valve named OSPE: **OSP** for normal manual steering wheel activated steering and **E** for electro hydraulic steering activated by electrical input signal either from GPS or vehicle controller or from steering wheel sensor (Danfoss type SASA) for variable steering ratio. In variable steering mode, the electro hydraulic valve part adds flow to the metered out flow from the steering unit part of the OSPE.

OSPE has build in safety function in form of cut off valve, which makes unintended steering from Electro hydraulic valve part impossible. So OSPE is the right steering element first of all to build up steering system with very high safety level and so to be able to fulfill legislations demands like e.g. demands in **EU Machinery Directive 2006/42/EC**.

OSPE is offered with the PVED-CLS steering valve controller. PVED-CLS offers integrated, flexible software-based electrohydraulic steering functionality which can be tailored to any off-road vehicle type by software parameterization. The PVED-CLS also works as a certified Safety Controller. For further details about PVED-CLS, see *OSPE with PVED-CLS Steering Valve Controller Data Sheet*, L1309911.

In cases where space do not allow room enough for OSPE, an ordinary OSP non-reaction steering unit combined the EH-Electro Hydraulic In-Line steering valve is an alternative. EH valves are offered with the same safety functions as OSPE. Please contact Danfoss sales organisation.

Versions

Overview

Steering valve OSPE and electrical actuation module PVE

Steering unit part		
Version	Spool/sleeve type	Gear set
OSPEC xxx LSRM	"C"-dynamic, LSRM, Load Sensing, Reaction	Single
OSPEF xxx LS	"F"-dynamic, LS, Non-Reaction	Single
OSPEDC xx/yyy LSRM	"C"-dynamic, LSRM, Load Sensing, Reaction	Dual
OSPEDF xx/yyy LS	"F"-dynamic, LS, Non-Reaction	Dual

EH-part of OSPE in combination with any OSPE	
Spool type	PVE actuator
Static	PVES, PVED CC, PVED CLS

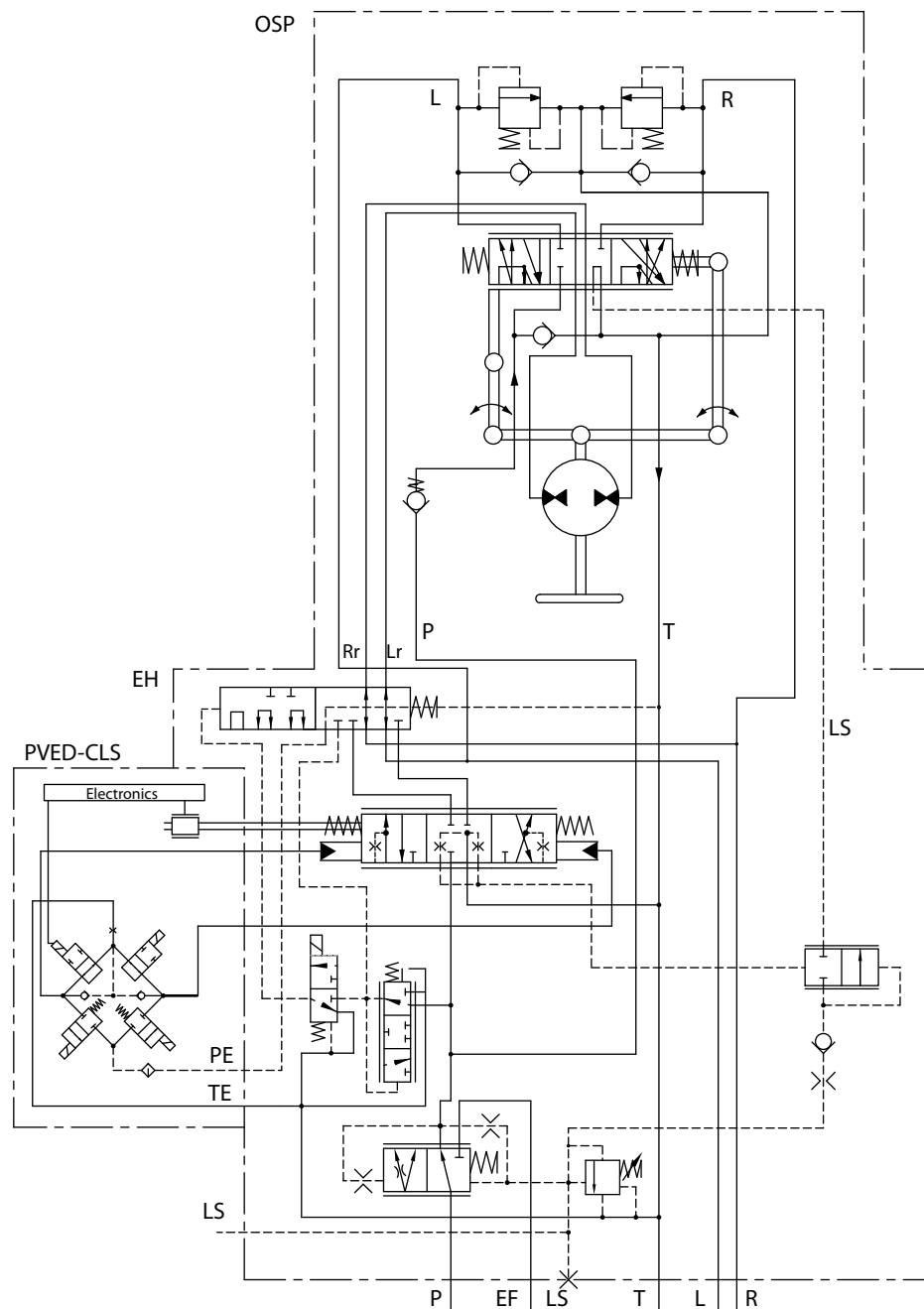
Priority valve in OSPE in combination with any OSPE	
Spool type	Note
Dynamic	If priority valve is present elsewhere in system, OSPE can be w.o. priority valve.

Versions

OSPEC LSRM with PVED-CLS:

This version is preferred for front wheel steered vehicles, like e.g. tractors, where self-alignment steering effect is desired. Reaction type steering resembles a car where the direction of travel will continue straight ahead when ever the steering wheel is not touched. The reaction concept in any OSPE steering units is based on Danfoss RM technology. The reaction effort is selectable by help of the solenoid valve for activating EH steering:

- Road mode: When EH steering is powered off, then OSPE behaves the same as a Reaction unit
- Field mode: When EH steering is powered on, then OSPE behaves the same as a Non-reaction unit



Versions

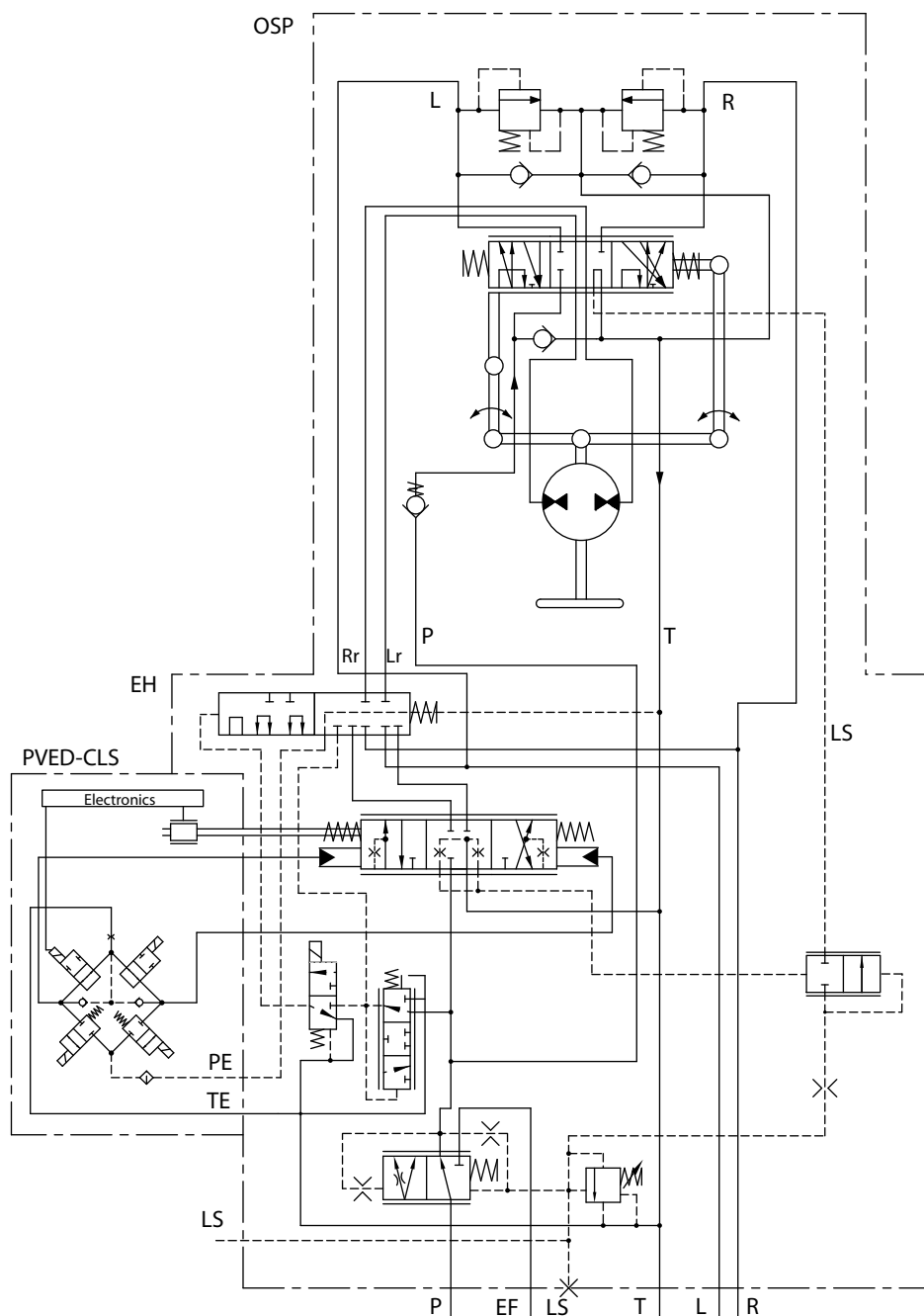
OSPEF LS with PVED-CLS

This version is preferred for rear wheel steered vehicles, like e.g. combines.

In both modes:

- Road mode: When EH steering is un powered
- Field mode: When EH steering is powered

the steering unit part behaves as a Non-reaction steering unit. The "F"-spool type is preferred for steering systems where high level of negative steering forces may be present e.g. articulated steered vehicles.

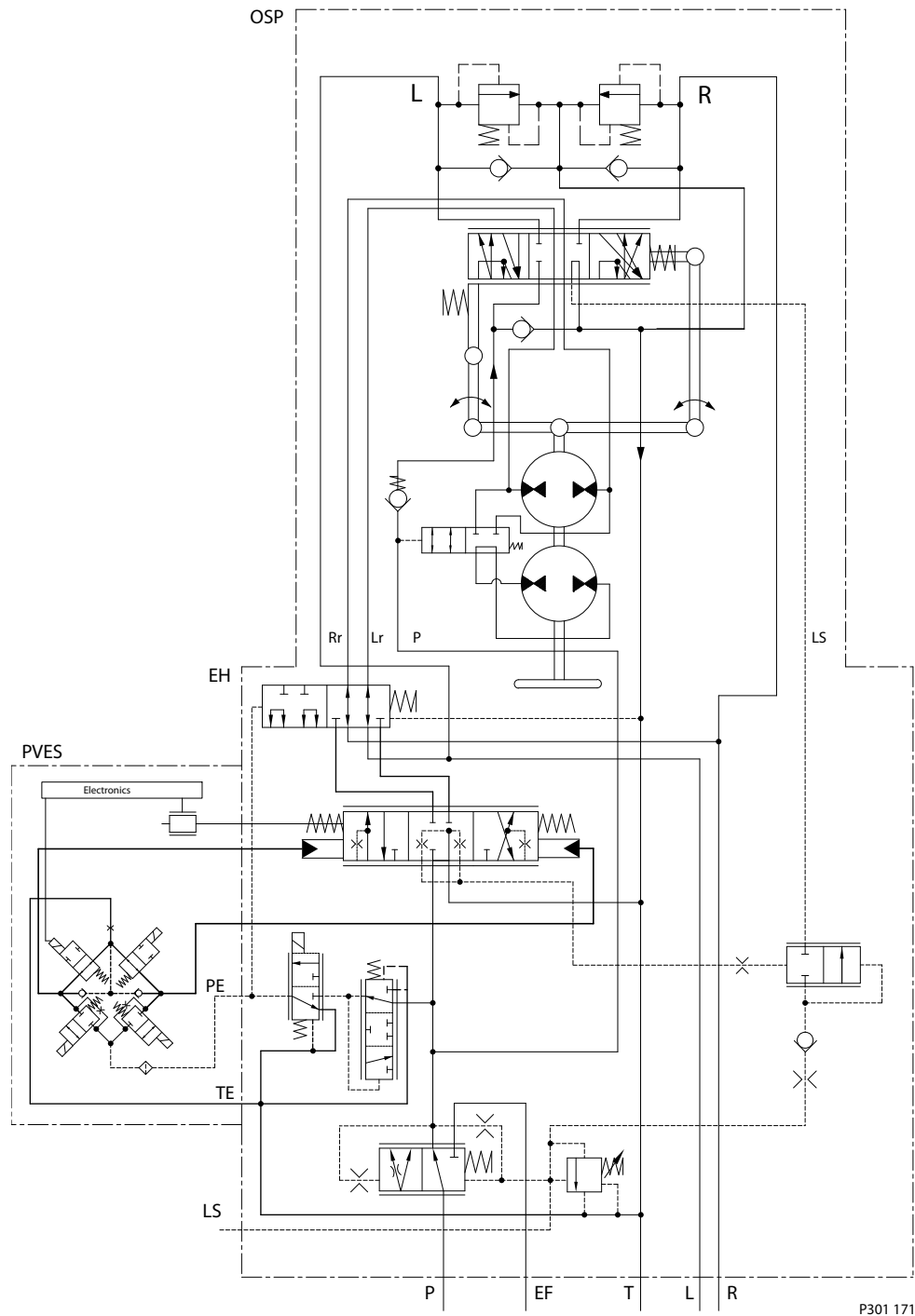


P301 170

Versions

OSPEDC LSRM with PVES

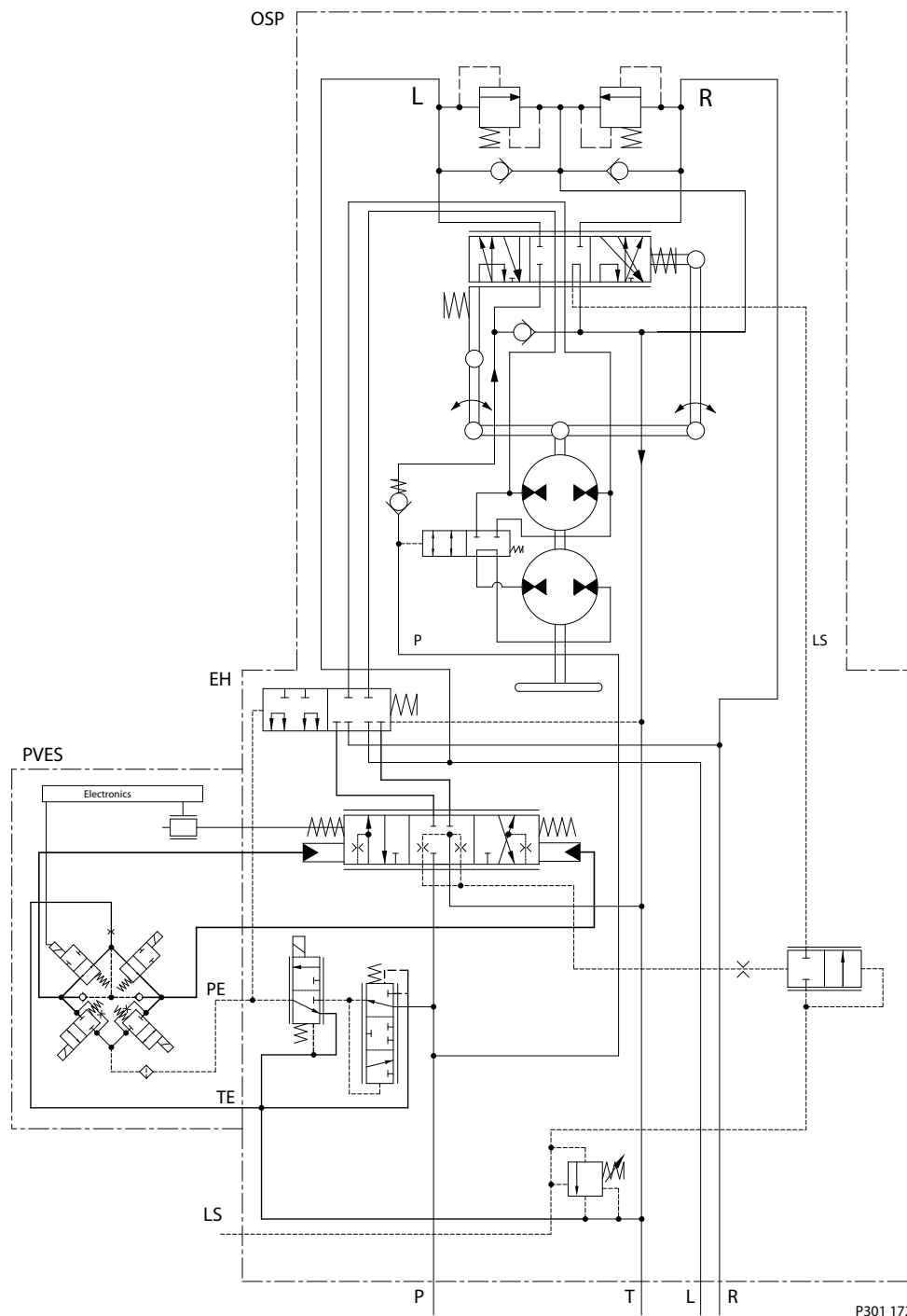
This version is preferred for front wheel steered vehicles, like e.g. tractors, where self-alignment steering effect is desired. Only difference compared to OSPEC LSRM is that "D" type has 2 gear wheel sets (rotary meters). Should the pump supply be lost, only one gear set is active for emergency steering. In normal steering situations both gear sets are active.



Versions

OSPEDF LS with PVES

This version is preferred for rear wheel steered and articulated vehicles. Only difference compared to OSPEF LS is that "D" type has 2 gear wheel sets (rotary meters). This version however is shown without priority valve.



PVED-CL/CLS

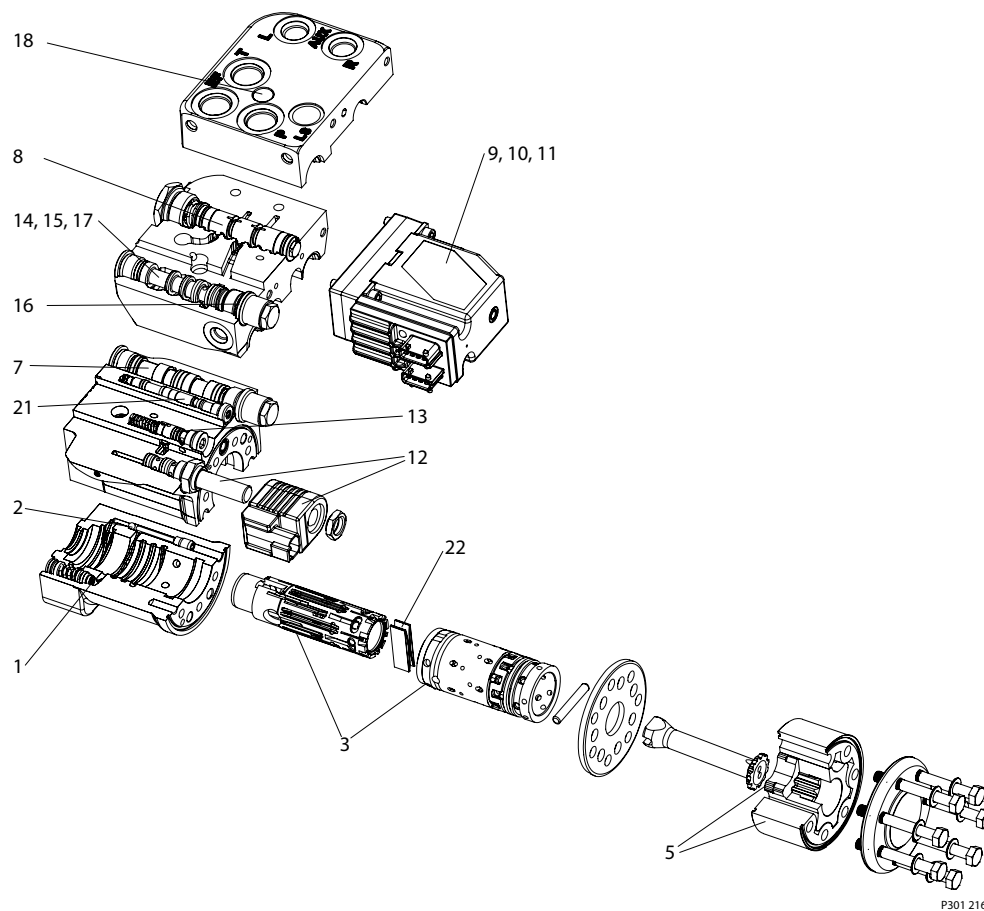
Only promote PVED-CLS for new applications. PVED-CL is only used in existing codes established until start of 2015. For details about PVED-CLS, see *OSPE with PVED-CLS Steering Valve Controller Data Sheet, L1309911*.

OSPE with an electrical programmable module (PVED-CLS) the following steering features in electro hydraulic steer mode/field mode are possible:

- GPS-steering
- Row sensor/ camera steering
- Joy stick or mini st. wheel steering
- Variable steering ratio
- Speed depending steering ratio

Function

OSPE steering valve



P301 216

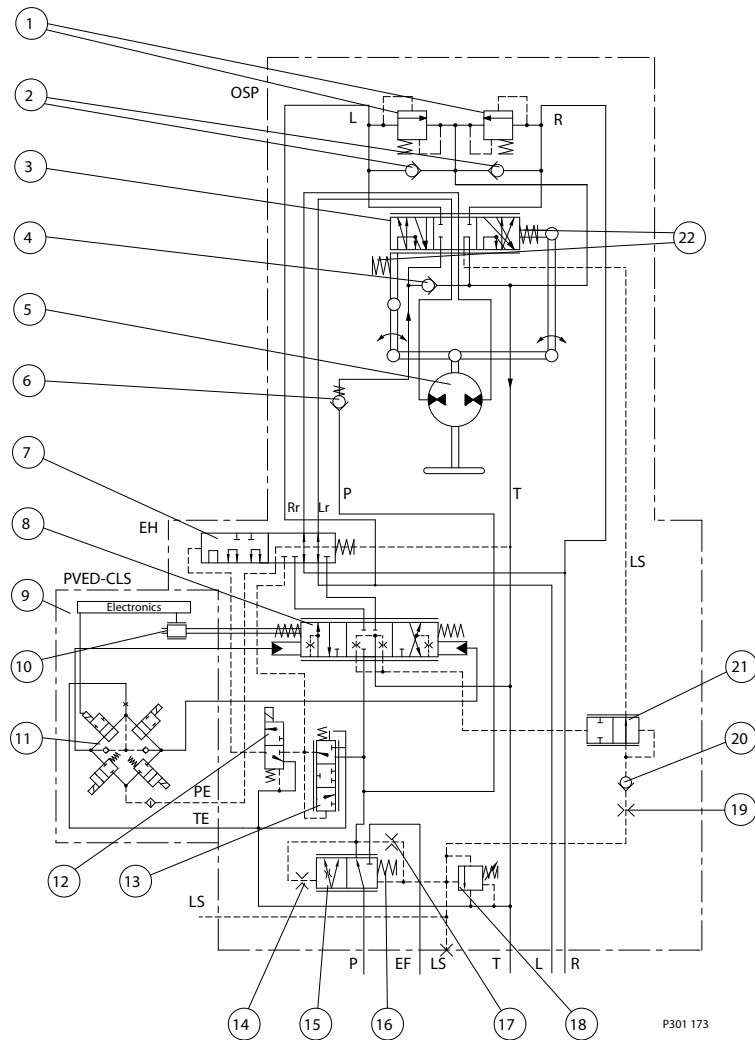
The OSPE steering valve includes the following main components

1	Shock valves	12	Control valve for mode select
2	Suction valves	13	Pilot reduction valve, 12 bar
3	Spool/sleeve set	14	PP damping orifice
5	Gear set	15	Priority valve spool
7	Mode select and EH cut off valve	16	Priority valve spring
8	EH directional valve	17	Dynamic orifice
9	PVE control unit	18	Pilot pressure relief valve
10	LVDI transducer	21	PVFC valve/LS resolver
11	Solenoid valve bridge	22	Neutral spring package for spool/sleeve

Function

OSPEC LSRM with PVED-CLS

Neutral position



- | | | | |
|----|----------------------------------|----|---|
| 1 | Shock valves | 12 | Control valve for mode select |
| 2 | Suction valves | 13 | Pilot reduction valve, 12 bar |
| 3 | Spool/sleeve set | 14 | PP damping orifice |
| 4 | Emergency steering check valve | 15 | Priority valve spool |
| 5 | Gear set | 16 | Priority valve spring |
| 6 | P-check valve | 17 | Dynamic orifice |
| 7 | Mode select and EH cut off valve | 18 | Pilot pressure relief valve |
| 8 | EH directional valve | 19 | LS orifice |
| 9 | PVE control unit | 20 | LS check valve |
| 10 | LVDT transducer with dual signal | 21 | PVFC valve/LS resolver |
| 11 | Solenoid valve bridge | 22 | Neutral spring package for spool/sleeve |

When the engine is turned off, the priority valve spool (15) is pushed to the left by the spring (16).

Function

The passage to the EF port is blocked and the passage to CF to the OSP spool/sleeve set (3) and to the EH directional valve spool (8) is open.

When the engine is on and the steering unit OSP and EH is in neutral position, the CF pressure will rise to match the spring force in the priority valve, and the priority valve spool (15) will move to the right and the oil will pass from the pump across the integrated priority valve spool (15) and out through the EF port.

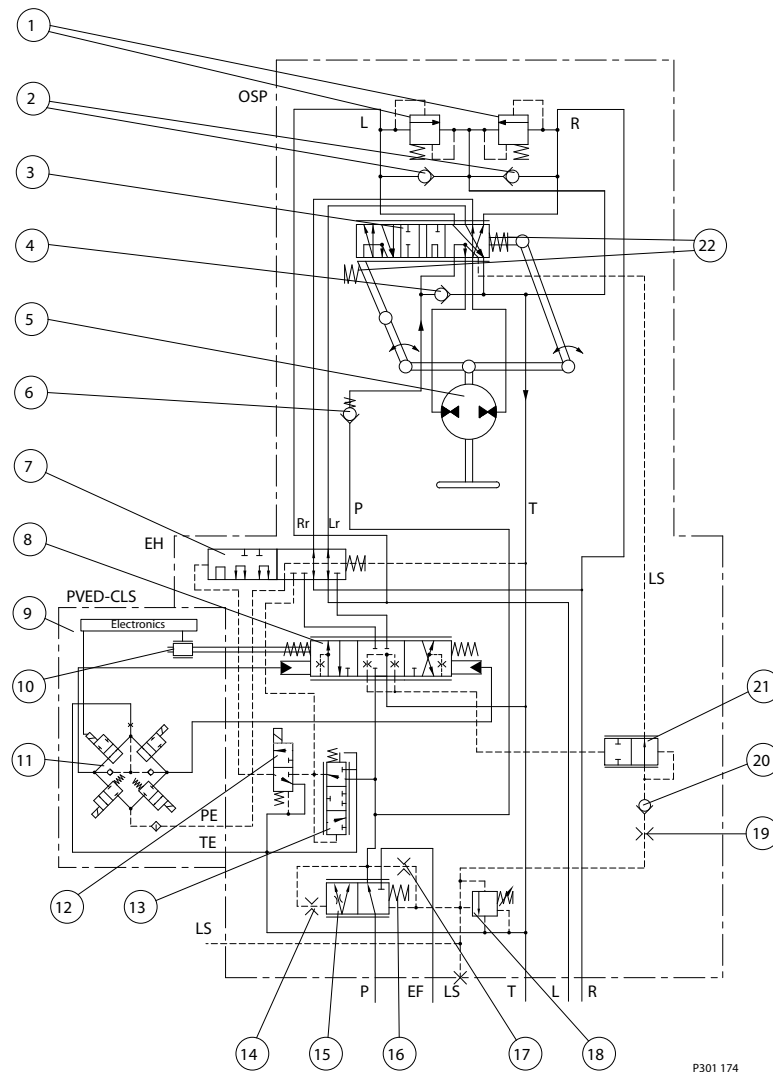
The priority valve is a “dynamic” type, meaning that a flow passes from CF through the Dynamic orifice (17) (integrated in spool 15) and into the LS line through the LS orifice (19), LS check valve (20), the PVFC valve (21) and into the spool/sleeve set (3). In neutral position this dynamic oil flow passes on to the tank.

When the steering unit is in neutral position and control valve (12) is deactivated, then the mode select/EH cut off valve (7) makes connection through the Reaction circuit, Lr and Rr. So if the steering wheel is untouched and a delta P is generated in the steering cylinder, oil will pass from L to R or R to L through the spool/sleeve set (3) and gear set (5) and the steering wheel will rotate until it is grabbed or delta P disappears. Only the force of the neutral spring package (22) has to be overcome to stop the rotation of the steering wheel and therefore stop the cylinder movement. The mode select/EH cut off valve (7) makes unintended EH steering impossible, if e.g. a false input signal comes to the PVE control unit (9), when the control valve (12) is deactivated, because L and R connections from EH directional valve spool (8) are blocked in (7).

If the control valve (12) is activated, then the mode select/EH cut off valve (7) blocks connection through the Reaction circuit. In this position there will be no reaction behavior even if there is build up delta P on the steering cylinder from forces on the steered wheels. So the steering unit behaves as a Non reaction OSP. In that situation (If the control valve (12) is activated) EH steering is possible.

Function

Steering right with steering wheel



- | | | | |
|----|----------------------------------|----|---|
| 1 | Shock valves | 12 | Control valve for mode select |
| 2 | Suction valves | 13 | Pilot reduction valve, 12 bar |
| 3 | Spool/sleeve set | 14 | PP damping orifice |
| 4 | Emergency steering check valve | 15 | Priority valve spool |
| 5 | Gear set | 16 | Priority valve spring |
| 6 | P-check valve | 17 | Dynamic orifice |
| 7 | Mode select and EH cut off valve | 18 | Pilot pressure relief valve |
| 8 | EH directional valve | 19 | LS orifice |
| 9 | PVE control unit | 20 | LS check valve |
| 10 | LVDT transducer with dual signal | 21 | PVFC valve/LS resolver |
| 11 | Solenoid valve bridge | 22 | Neutral spring package for spool/sleeve |

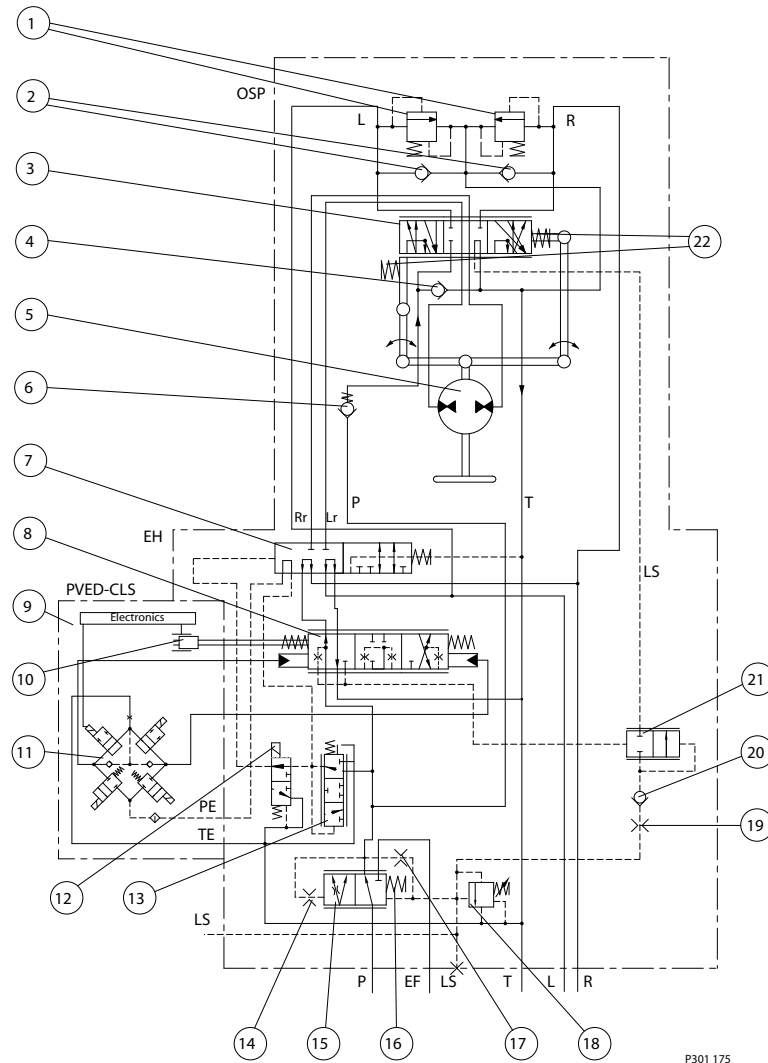
When steering with the steering wheel to the right, the spool of the spool/sleeve set (3) will rotate relative to the sleeve. So LS line will be connected to R-side. LS pressure will raise accordingly to steering pressure required and priority valve spool (15) will be pressed to the left and oil will stream through the

Function

internal CF side of the priority valve and on to the spool/sleeve set (3) through the gear set (5) and out through the R connection. In parallel the L side is opened through the spool/sleeve set (3) to tank (T). When steering up against cylinder end stop, pressure will raise in LS line according to setting of pilot pressure control valve (18). Check valve (20) avoids oil to stream backwards from servo side (R in this case) and over valve (18) to tank. So the valve (18) shall only open for the dynamic flow generated in the dynamic orifice (17) of priority valve part, independent if steering is done by the steering wheel (OSP part) or by the EH valve.

Function

Steering right with EH



- | | | | |
|----|----------------------------------|----|---|
| 1 | Shock valves | 12 | Control valve for mode select |
| 2 | Suction valves | 13 | Pilot reduction valve, 12 bar |
| 3 | Spool/sleeve set | 14 | PP damping orifice |
| 4 | Emergency steering check valve | 15 | Priority valve spool |
| 5 | Gear set | 16 | Priority valve spring |
| 6 | P-check valve | 17 | Dynamic orifice |
| 7 | Mode select and EH cut off valve | 18 | Pilot pressure relief valve |
| 8 | EH directional valve | 19 | LS orifice |
| 9 | PVE control unit | 20 | LS check valve |
| 10 | LVDT transducer with dual signal | 21 | PVFC valve/LS resolver |
| 11 | Solenoid valve bridge | 22 | Neutral spring package for spool/sleeve |

Before it is possible to steer with the EH part of the OSPE, it is needed to power the control valve for mode select (12) for field mode. When this valve is powered, the pilot supply (12 bar) is lead from the pilot reduction valve (13) through the control valve (12) to the EH cut off valve (7). So the valve (7) makes

Function

connection from EH directional valve (8) to the cylinder ports, L and R, and (7) also leads pilot supply to the solenoid valve bridge (11) of the PVED CLS control unit (9) In the same shift, the valve (7) interrupts the reaction circuit, Lr and Rr, from the spool/sleeve set (3) to the cylinder ports, and the unit acts as a non-reaction OSP in this mode.

When an input signal is transmitted to the electrical connector of the PVE (9), in this example signal to steer to the right, the solenoid valve bridge (11) is activated and the EH directional valve spool (8) is moved to the right. So LS in the spool (8) will sense the needed steering pressure, and this is transmitted to the PVFC valve /LS resolver (21). So the valve (21) makes restrictions in the dynamic LS flow from dynamic orifice (17) of priority valve, and the LS pressure in the priority valve spool (15) will match the LS pressure required from the EH directional valve spool (8). Accordingly the position of the priority valve spool (15) will change to match the flow and pressure demand for EH-steering.

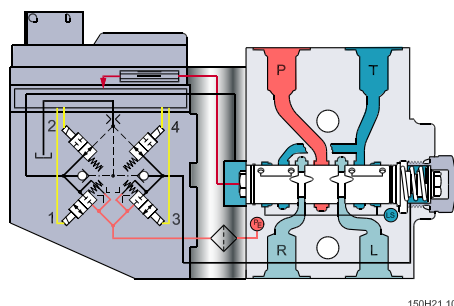
In case the “watch dog” part of the PVED CLS registers an unintended steering movement e.g. due to a false input signal to the PVE, the electrical power to the control valve for mode select (12) will be switched off.

So valve 12 will dump pilot pressure to tank, mode select and EH cut off valve (7) will change position so that connection from EH directional valve spool (8) to cylinder ports will be blocked. Furthermore it will not be possible to activate the solenoid valve bridge (11) and the PVE will go into/stay in neutral position. In this way a true safe state is established.

The non-reaction circuit from the OSP part is always connected to L and R cylinder ports independent of position of mode select valve (7), and so OSP steering is always possible.

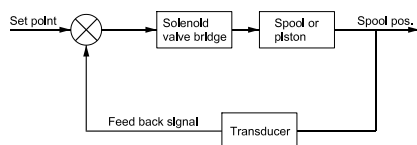
PVES and PVED-CLS, electrical actuation

The philosophy of Danfoss electro hydraulic actuation, type PVE, is integration of electronics, sensors and actuators into a single unit that interfaces directly to the OSPE steering valve body.



Closed loop control

All the proportional actuators feature an integrated feedback transducer that measures spool movement in relation to the input signal, and by means of a solenoid valve bridge, controls the direction, velocity and position of the directional spool of the valve. The integrated electronics compensate for flow forces on the spool, internal leakage, changes in oil viscosity, pilot pressure, etc. This results in lower hysteresis and better resolution. Furthermore the electronics enable built in safety like fault monitoring, directional indication and LED light indication.



Principle

In principle the input signal (set-point signal) determines the level of pilot pressure which moves the main spool. The position of the directional spool is sensed in the LVDT transducer which generates an

Function

electric feed-back signal registered by the electronics. The variation between the set-point signal and feed-back signal actuates the solenoid valves. The solenoid valves are actuated so that hydraulic pilot pressure drives the directional spool into the correct position.

Inductive transducer, LVDT

(Linear Variable Differential Transformer). When the directional spool is moved, a voltage is induced proportional to the spool position. The use of LVDT gives contact-free monitoring of the directional spool position. This means an extra-long working life and no limitation as regards the type of hydraulic fluid used. In addition, LVDT gives precise position signal of high resolution.

Integrated pulse width modulation

Positioning of the directional spool in PVES is based on the pulse width modulation principle. As soon as the directional spool reaches the required position, modulation stops and the spool is locked in position.

Technical data

OSPE

The technical data for OSPE are typical measured results. For the hydraulic system a mineral based hydraulic oil with a viscosity of 21 mm²/s [102 SUS] and a temperature of 50°C [122°F] was used.

Gear set	Single, range	100-500 cm ³ /rev	[6.1-30.5 in ³ /rev]
	Dual, range	60/120 – 125/440 cm ³ /rev	[3.7/7.3 – 7.6/26.8 in ³ /rev]
Max. pressure	Port P, EF	250 bar	[3625 psi]
	Port LS	210 bar	[3045 psi]
	Port L, R	280 bar	[4060 psi]
	Port T	25 bar	[362 psi]
Oil flow rated	Port P, EF	90 l/min	[23.8 US gal/min]
	Port L/R, steering wheel steering	50 l/min	[12.2 US gal/min]
	Port L/R, EH steering	12, 20, 30, 40 or 50 l/min	[3.2, 5.3, 7.9, 10.6 or 13.2 US gal/min]
Spool travel, EH directional spool		± 4 mm	[± 0.16 in]
Dead band, EH-directional spool, nominal		± 0.8 mm	[± 0.03 in]
Priority valve	Type	Dynamic	
	Spring force	7 bar, 10 bar optional	[100 psi, 145 psi optional]
	Nominal flow	90 l/min	[23.8 US gal/min]
Oil temperature	Recommended temperature	30 --> +60°C	[86 --> +140°F]
	Min. temperature	-30°C	[-22°F]
	Max. temperature	+90°C	[190°F]
Ambient temperature		-30 --> +60°C	[-22 --> +140°F]
Oil viscosity	Operating range	12-80 mm ² /sec	[66.0-370.3 SUS]
	Min. viscosity	10 mm ² /sec	[58.9 SUS]
	Max. viscosity	460 mm ² /sec	[2134 SUS]
Filtration	Max contamination (ISO 4406)	21/19/16	
Temperature difference between steering unit and other hydraulics	Max.	10°C	[50°F]

Weights

Weight of OSPE

Type	Weight	
	kg	[lb]
OSPE 100	12.7	[28.0]
OSPE 125	12.8	[28.2]
OSPE 140	12.9	[28.4]
OSPE 160	13.0	[28.7]
OSPE 185	13.1	[28.9]
OSPE 200	13.2	[29.1]
OSPE 230	13.5	[29.8]
OSPE 250	13.4	[29.5]

Technical data

Weight of OSPE (continued)

Type	Weight	
	kg	[lb]
OSPE 315	13.7	[30.2]
OSPE 400	14.1	[31.1]
OSPE 430	14.2	[31.3]
OSPE 500	14.5	[32.0]

Weight of OSPED

Type	Weight	
	kg	[lb]
OSPED 60/120	14.6	[32.2]
OSPED 60/185	14.9	[32.9]
OSPED 60/220	15.2	[33.5]
OSPED 70/170	14.8	[32.6]
OSPED 70/320	15.5	[34.2]
OSPED 80/240	15.1	[33.1]
OSPED 80/395	15.8	[34.8]
OSPED 100/260	15.2	[33.5]
OSPED 100/300	15.4	[34.0]
OSPED 125/285	15.3	[33.7]
OSPED 125/440	16.0	[35.3]

PVES

		PVES	
Supply voltage U_{DC}	rated	11 V to 32 V	
	range	11 V to 32 V	
	max. ripple	5%	
Current consumption at rated voltage PVES		0.57 A @ 12 V	0.3 A @ 24 V
Signal voltage	neutral	$0.5 \times U_{DC}$	
	CR-port ↔ CL-port	$0.25 \cdot U_{DC}$ to $0.75 \cdot U_{DC}$	
Signal current at rated voltage		0.25 mA to 0.70 mA	
Input impedance in relation to $0.5 \cdot U_{DC}$		12 K Ω	
Input capacitor		100 nF	
Power consumption PVES		7 W	

Supply voltage	Function		PVES Prop. supers
Disconnected by means of neutral switch	Reaction time from neutral position to max. spool travel	max.	0.230
		rated	0.150
		min.	0.120

Technical data

Supply voltage	Function		PVES Prop. super s
Disconnected by means of neutral switch	Reaction time from max. spool travel to neutral position	max.	0.175
		rated	0.090
		min.	0.065
Constant voltage	Reaction time from neutral position to max. spool travel	max.	0.200
		rated	0.120
		min.	0.050
Constant voltage	Reaction time from max. spool travel to neutral position	max.	0.100
		rated	0.090
		min.	0.065

PVED-CLS

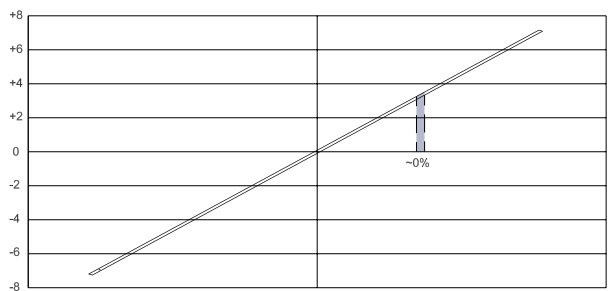
[For details about PVED-CLS, see OSPE with PVED-CLS Steering Valve Controller Data Sheet, L1309911.](#)

Hysteresis, PVES and PVED-CLS

Hysteresis, PVES and PVED-CLS ¹⁾	rated	~ 0%
---	-------	------

¹⁾ Hysteresis is indicated at rated voltage and $f = 0.02$ Hz for one cycle (one cycle = neutral -> full CL -> full CR -> neutral).

Spool travel



157-669.11

PVES

Oil consumption

Supply voltage	Function		PVES	
Without voltage	Pilot oil flow	neutral	0.3 l/min	[0.078 US gal/min]
With voltage	Pilot oil flow	locked	0.1 l/min	[0.026 US gal/min]
		continuous actuations	0.8 l/min	[0.211 US gal/min]

Oil viscosity

Oil viscosity			
	range	12 - 75 mm ² /s	[65 - 347 SUS]
	min.	4 mm ² /s	[39 SUS]
	max.	460 mm ² /s	[2128 SUS]

Note: Max. start up viscosity 2500 mm²/s

Technical data

Oil temperature

Oil-temperature	Rec. range	30 - 60°C	[86 - 140°F]
	min.	-30°C	[-22°F]
	max.	90°C	[194°F]

Filtering

Filtering in the hydraulic system	Max. allowed degree of contamination (ISO 4406, 1999 version): 23/19/16
-----------------------------------	--

Ambient temperature

Ambiant temperatur range Rec.	-30° → +60°C	[-22° → +140°F]
-------------------------------	--------------	-----------------

Pilot pressure

Pilot pressure (relative to T pressure)	nom.	13.5 bar	[196 psi]
	min.	10 bar	[145 psi]
	max.	15 bar]	[217 psi]

Enclosure and connector version

Version of connector	AMP JPT connector	Deutsch® connector
Grade of enclosure ¹⁾	IP 66	IP 67

¹⁾ According to the international standard IEC 529

In particulary exposed applications, protection in the form of screening is recommended.

Coil of control valve for mode select

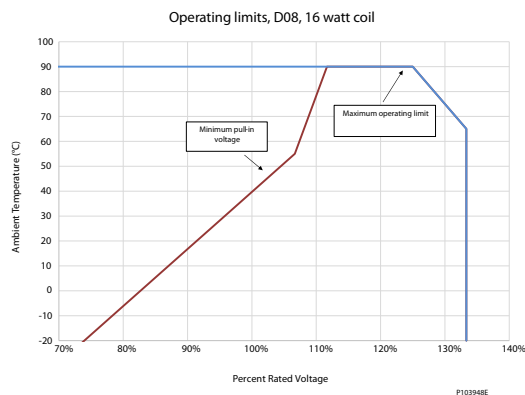
Below technical data are valid for coil of control valve for mode select, when this coil is connected directly to the wiring of the application.

For OSPE with PVED-CLS the coil will be connected to the PVED-CLS. For more information, see *OSPE with PVED-CLS Steering Valve Controller Data Sheet, L1309911*.

Specifications

- Duty cycle rating: 100%
- Magnet wire insulation: Class H (180C)
- Ambient temperature: -30 to 60 °C [-22 to 140 °F]
- Diodes are available; contact your Danfoss representative.
- Environmental protection: IP65
- All AC coils are internally rectified

Technical data



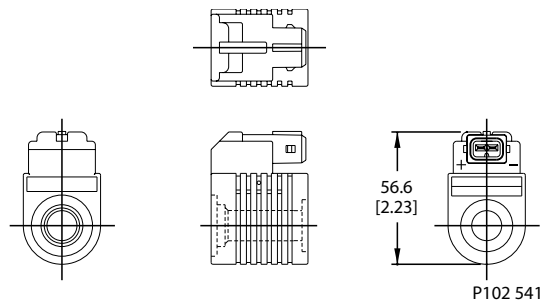
Electrical specifications

16 watt coils

Voltage (V)	Resistance (Ohms) $\pm 5\%$ @ 20 °C [72 °F]	Current draw (A) at 25 °C [77 °F]	Color
12 V _{DC}	9	1.33	Gray
24 V _{DC}	36	0.67	Black

Terminals

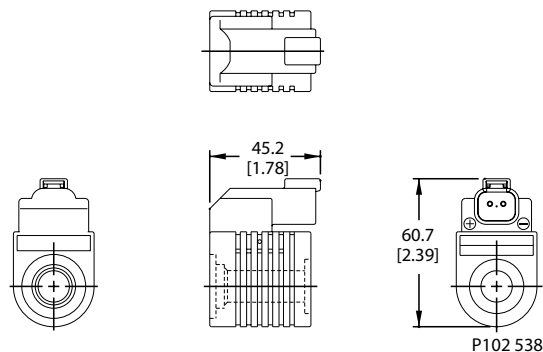
Amp Junior Timer Code AJ



Part number

Voltage (V)	Power (W)	Part number
12 V _{DC}	16	D08-16-12D-AJ

DEUTSCH Code DE



Technical data

Part number

Voltage (V)	Power (W)	Part number
12 V _{DC}	16	D08-16-12D-DE
24 _{DC}	16	D08-16-24D-DE

Dimensioning

Dimensioning steering system with OSPE steering valve

The cylinder flow is determined from steering cylinder volume, number of revolutions on steering wheel from lock to lock and steering speed. Dimension of steering cylinder(s) can be based on formulas in "General, steering components" page 29-31.

Symbols:

V (l)	steering cylinder volume
i (rev)	number of steering wheel revolutions from lock to lock
Vvc (cm ³ /rev.)	steering system displacement for steering cylinder
CQ (l/min)	nominal cylinder flow
Pems (bar)	emergency steering pressure
Tems (Nm)	emergency steering torque
Fe (N)	emergency steering wheel rim force
Swd (m)	steering wheel diameter
Vvs (cm ³ /rev)	displacement, steering unit
PQ (l/min)	pilot flow
Qpm (l/min)	pump flow, minimum

Example:

Cylinder volume: $V = 1.85 \text{ l}$ [0.49 US gal]

Required number of steering wheel revolutions from lock to lock:

$i = 4 - 5 \text{ revolutions}$

The required steering system displacement for steering cylinder is calculated from

$$Vvc = V/i = (1.85 \cdot 1000)/5 = 370 \text{ cm}^3/\text{rev} [22.58 \text{ in}^3/\text{rev}]$$

$$(1.85 \cdot 1000)/4 = 463 \text{ cm}^3/\text{rev} [28.25 \text{ in}^3/\text{rev}]$$

In this example we chose $Vvc = 400 \text{ cm}^3/\text{rev}$ [24.4 in³/rev]

The nominal cylinder flow at 100 rpm speed on steering wheel.

$CQ = 400 \cdot 100/1000 \text{ (cm}^3/\text{l)} = 40 \text{ l/min}$ [10.57 US gal/min] In this case we try to use an "D" type steering unit to avoid emergency steering pump.

The "small" gear set, which is the only hydraulically active gear set in emergency steering mode is determined by the demand for emergency steering pressure, look in "General, steering components" page 28-29.

Emergency steering pressure, Pems, is calculated to be maximum

$$Pems = 40 \text{ bar} [580 \text{ psi}]$$

Maximum allowable steering torque Tems based on steering wheel rim force $Fe = 350 \text{ N}$ and steering wheel diameter $Swd = 0.381 \text{ m}$

$$Tems = Fe \cdot Swd/2 = 350 \cdot 0.381/2 = 66.7 \text{ Nm} [580 \text{ lbf}\cdot\text{in}]$$

Emergency steering unit displacement can be chosen/calculated from the table lowest on page 29 in "General, steering components".

The nearest displacement Vvs generating

$$\text{minimum } 40 \text{ bar} [580 \text{ psi}] \text{ at } Tw_s = 66.7 \text{ N}\cdot\text{m} [580 \text{ lbf}\cdot\text{in}]$$

$$Vvs \text{ maximum} = 80 \text{ cm}^3/\text{rev} [4.88 \text{ in}^3/\text{rev}]$$

So the closest combination on gear sets for this OSPED type will be: 80/395.

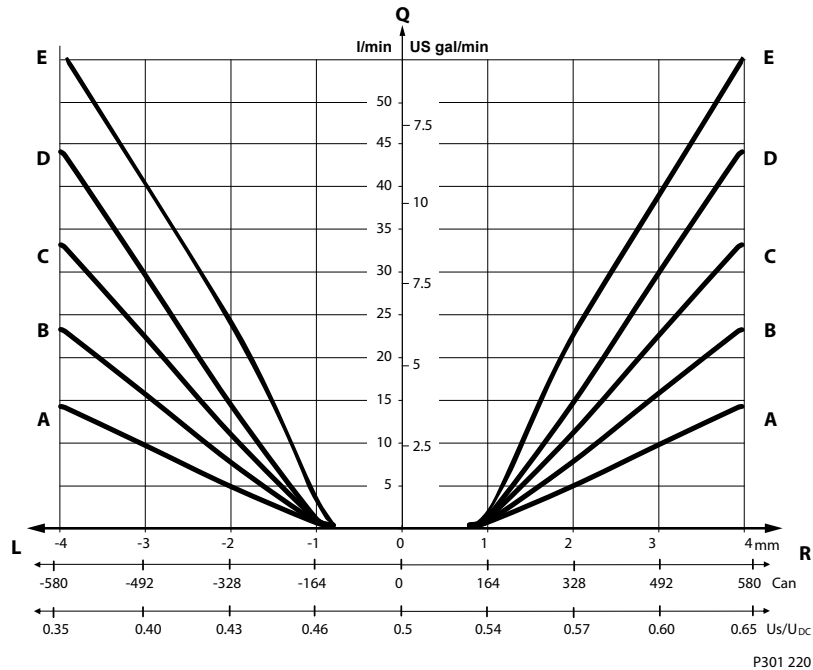
So the numbers of steering wheel revolutions from lock to lock will be.

$$i = V/Vvc = 1850/395 = 4.7 \text{ turns lock to lock.}$$

Technical characteristics

EH-directional spools of OSPE

Cylinder flow characteristic for directional spools



- A** = valid for spools for nominal cylinder flow $CQ = 12$ l/min [3.17 US gal/min]
- B** = valid for spools for nominal cylinder flow $CQ = 20$ l/min [5.28 US gal/min]
- C** = valid for spools for nominal cylinder flow $CQ = 30$ l/min [7.97 US gal/min]
- D** = valid for spools for nominal cylinder flow $CQ = 40$ l/min [10.57 US gal/min]
- E** = valid for spools for nominal cylinder flow $CQ = 50$ l/min [13.21 US gal/min]

The curves are valid for OSPE with internal priority valve w. 7 bar [100 psi] spring and 1.0 mm [0.039 in] dynamic orifice and @ 60 l/min [15.85 US gal/min] pump flow.

For OSPE without internal priority valve, the curves are valid in combination with external priority valve OLS 80, 152B8269 @ 60 l/min [15.85 US gal/min] pump flow.

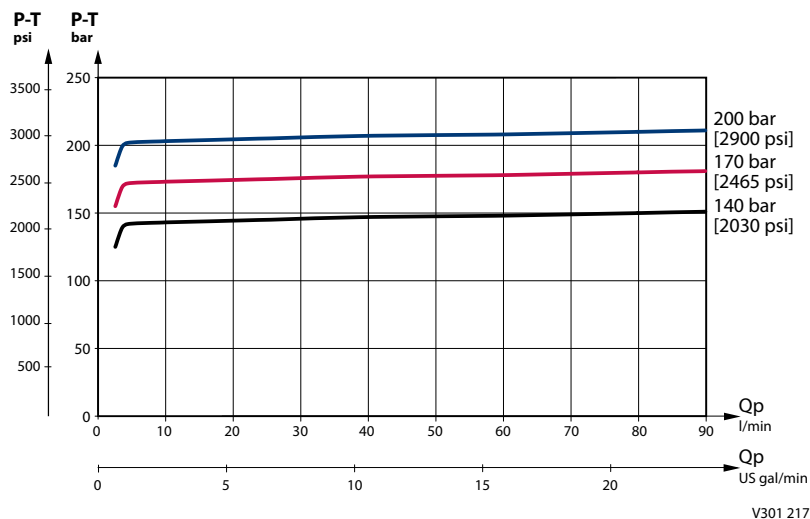
Pilot pressure relief valve: (P - T, Qp) characteristic

The pilot pressure relief valve protects the steering system against excessive pressure.

The pilot pressure relief valve works together with the priority valve in the OSPE to limit the maximum steering pressure P-T. The pilot pressure relief valve is set at an oil flow to the priority valve of 25 l/min [6.6 US gal/min].

Setting tolerance: rated value +10 bar [145 psi].

Technical characteristics

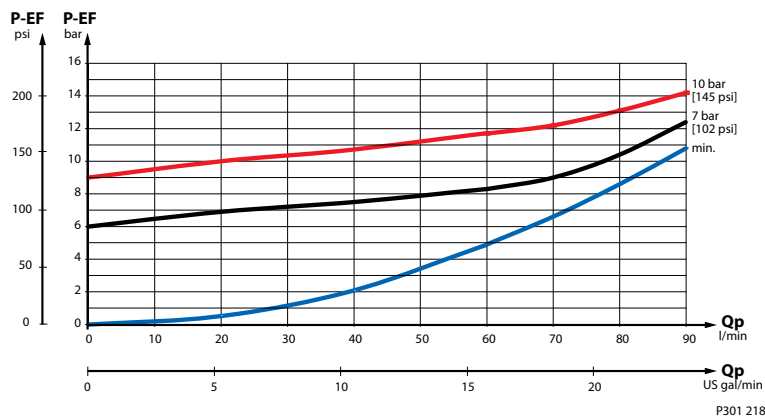


Pressure drop P-EF for Danfoss OSPE valve

This data comes from measurements on a representative sample of OSPE valves from production. Oil with viscosity of $21 \text{ mm}^2/\text{s}$ at $50 \text{ }^\circ\text{C}$ was used during measuring. Measurement is made when the pressure on the LS connection is zero. The minimum curve applies when the pressure on the EF connection is higher than the actual control spring pressure.

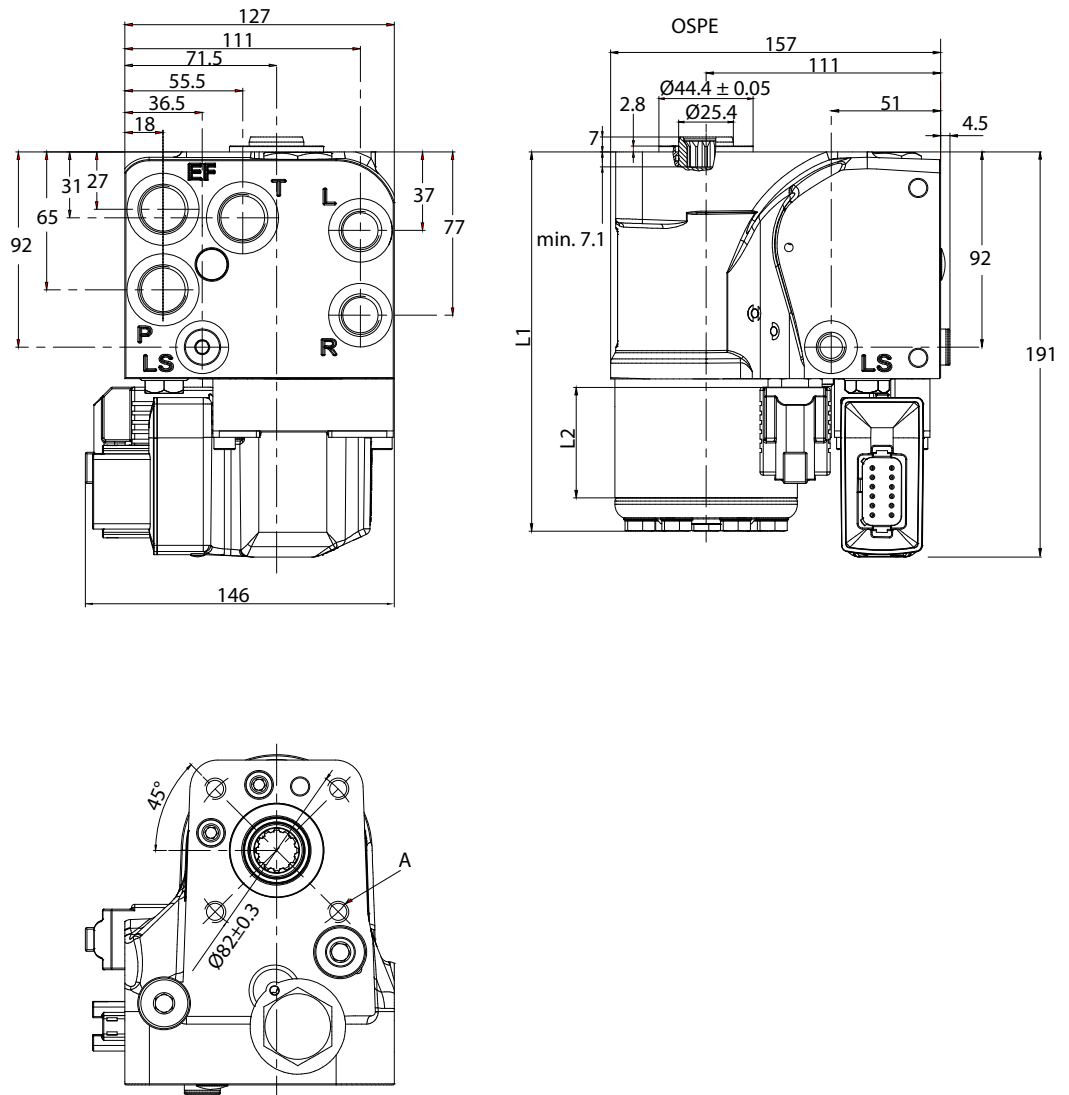
The curve for control spring pressure of 7 bar [100 psi] and 10 bar [145 psi] applies when pressure on the EF port is zero.

OSPE with priority valve spool



Dimensions

OSPE dimensions with PVED-CLS



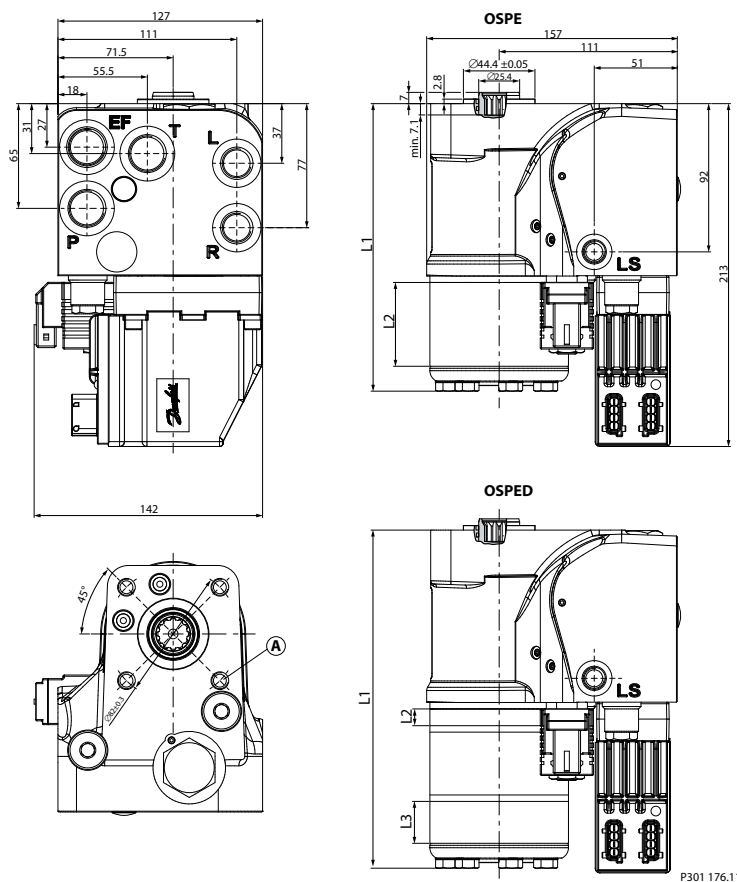
P301 176.2

Metric-port version (ISO 6149-1):

P, T, EF:	M22 x 1.5, 15 mm deep
L, R:	M18 x 1.5, 14.5 mm deep
LS:	M12 x 1.5, 11.5 mm deep
A:	4x M10 x 1.5, 16 mm deep

Dimensions

OSPE dimensions with PVED-CC/CL



Metric-port version (ISO 6149-1):

P, T, EF:	M22 x 1.5, 15 mm deep
L, R:	M18 x 1.5, 14.5 mm deep
LS:	M12 x 1.5, 11.5 mm deep
A:	4x M10 x 1.5, 16 mm deep

OSPE dimensions

Type	L ₁		L ₂	
	mm	[in]	mm	[in]
OSPE 100	140	[5.51]	13.0	[0.51]
OSPE 125	143	[5.63]	16.2	[0.64]
OSPE 140	146	[5.75]	18.6	[0.73]
OSPE 160	148	[5.83]	20.8	[0.82]
OSPE 185	151	[5.94]	24.0	[0.95]
OSPE 200	153	[6.02]	26.0	[1.02]
OSPE 230	162	[6.38]	35.1	[1.38]
OSPE 250	160	[6.30]	32.5	[1.28]
OSPE 315	168	[6.61]	40.9	[1.61]
OSPE 400	179	[7.05]	52.0	[2.05]

Dimensions

OSPE dimensions (continued)

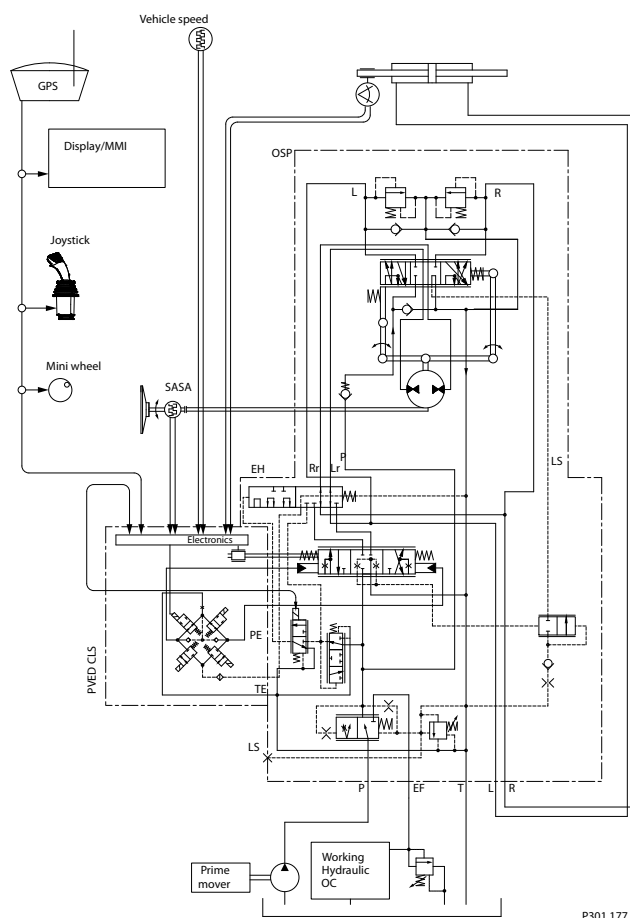
Type	L ₁		L ₂	
	mm	[in]	mm	[in]
OSPE 430	183	[7.20]	55.9	[2.20]
OSPE 500	192	[7.56]	65.0	[2.56]

OSPED dimensions

Type	L ₁		L ₂		L ₃	
	mm	[in]	mm	[in]	mm	[in]
OSPED 60/120	193	[7.60]	9.1	[0.36]	9.1	[0.36]
OSPED 60/185	201	[7.91]	9.1	[0.36]	16.2	[0.64]
OSPED 60/220	205	[8.07]	9.1	[0.36]	20.8	[2.39]
OSPED 70/170	197	[7.76]	9.1	[0.36]	13.0	[0.51]
OSPED 70/320	216	[8.50]	9.1	[0.36]	32.5	[1.28]
OSPED 80/240	206	[8.11]	10.4	[0.41]	20.8	[0.82]
OSPED 80/395	226	[8.90]	10.4	[0.41]	40.9	[1.61]
OSPED 100/260	209	[8.23]	13.0	[0.51]	20.8	[0.82]
OSPED 100/300	214	[8.43]	13.0	[0.51]	26.0	[1.02]
OSPED 125/285	212	[8.35]	16.2	[0.64]	20.8	[0.82]
OSPED 125/440	232	[9.13]	16.2	[0.64]	40.9	[1.61]

Hydraulic systems

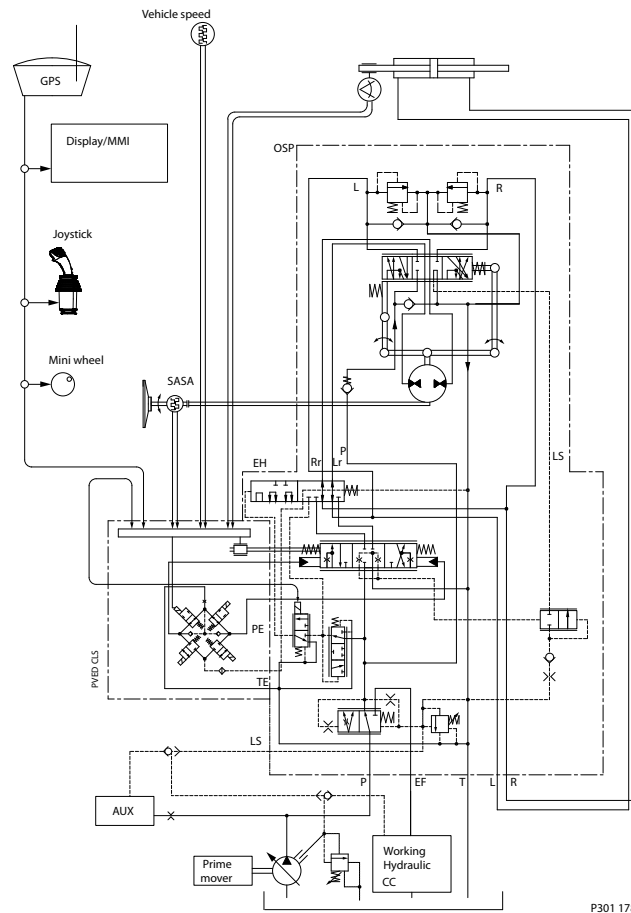
OSPE LSRM with PVED-CLS in a system with fixed gear pump, GPS receiver, joystick and mini wheel



The pump, the OSPE priority valve part and the working hydraulics must be protected by a separate pressure relief valve. The PVED CLS monitors input from the GPS, MMI, joy stick, mini wheel, steering angle sensor (SASA) and signal from steering cylinder sensor. In case of unintended movement from the cylinder sensor, the PVED CLS will remove power to the control valve for mode select/pilot dump, and in this way electro hydraulic actuation of steering cylinder is made impossible. The system turns into true safe state.

Hydraulic systems

OSPEC LSRM with PVED-CLS in a system with variable pump, GPS receiver, joystick and mini wheel



The pump must have a built in pilot pressure relief valve to protect the OSPE, the priority valve part, the working hydraulics and the AUX function. AUX can be a brake system, which must have limited oil consumption to ensure steering capability in any case. Alternative pressure protection must be present in working and in AUX-hydraulic.

System safety

Emergency steering

The steering unit part of the OSPE acts like any other OSP steering units in case of no pump supply.

In such case the gear wheel set acts as a hand driven pump, and so muscular power will be converted from input torque and rotation on the steering wheel to hydraulic power in the form of pressure and flow out of the cylinder port to which side the steering is done. See [Dimensioning steering system with OSPE steering valve](#) on page 27 in this catalog and page 28 in "General, steering components" for calculating manual/emergency steering.

Please see promotional brochure 11059881 for further information.

OSPE and system safety PVES

Fault monitoring

A fault monitoring system is provided in all PVES modules. The system is available as passive fault monitoring type, which provides a warning signal only.

- Passive fault monitoring systems are triggered by three main events:

1. Input signal monitoring

The PVES input signal voltage is continuously monitored. The permissible range is between 15% and 85% of the supply voltage. Outside this range the section will switch into an active error state.

2. Transducer supervision

If one of the wires to the LVDT sensor is broken or short-circuited, the section will switch into an active error state.

3. Supervision of the closed loop

The actual position must always correspond to the demanded position (input signal). If the actual spool position is further than the demanded spool position (>12%,), the system detects an error and will switch into an active error state. On the other hand, a situation where the actual position is closer to neutral than that demanded will not cause an error state. This situation is considered "in control".

When an active error state occurs, the fault monitoring logic will be triggered:

Passive fault monitoring

- A delay of 250 ms before anything happens.
- The solenoid valve bridge will not be disabled but still control the main spool position.
- An alarm signal is sent out through the appropriate pin connection, no. 3.
- This state is not memorized. When the erroneous state disappears, the alarm signal will turn to passive again. However, the signal will always be active for a minimum of 100 ms when triggered.

To prevent the electronics from going into an undefined state, a general supervision of the power supply and the internal clock frequency is made. This function applies to PVES and will not activate fault monitoring:

1. High supply voltage

The solenoid valves are disabled when the supply voltage exceeds 36 V, and the main spool will return/stay in neutral.

2. Low supply voltage:

The solenoid valves are disabled when the supply voltage falls below 8.5 V, and the main spool will return/stay in neutral.

3. Internal clock

The solenoid valves are disabled when the internal clock frequency fails, and the main spool will return/stay in neutral.

System safety

Safety considerations

On-road operation

Warning

The PVES or PVED-CLS shall be de-energized while driving on-road. It is the OEMs responsibility to establish the necessary means to inform and de-energize the PVE from the cabin when driving on public roads.

The Danfoss range of PVE actuators are single string designs with limited on board fault monitoring. Danfoss strongly recommends application of vehicle specific safety monitoring systems that will detect non-conforming steering and effectively disable electro-hydraulic actuators or issue appropriate warnings as the case may be. A minimum safety system should include a manual power switch to electrical power off electro-hydraulic actuators while driving on public roads.

For details, see:

- Technical information, PVE Series 4
- User Manual PVED-CLS controller for Electro-Hydraulics Steering

or contact Danfoss Technical Support Team

Order specification

Variants and order specification

Specification table for Danfoss OSPE steering valve.

Part	Variants					
OSP	Gear set, cm ³ /rev Single	100, 125, 140, 160, 185, 200, 230, 250, 315, 400, 430, 500				
	Dual, "D"-type	60/120, 60/185, 60/200, 60/220, 60/260, 60/290 70/140, 70/170, 70/195, 70/230, 70/270, 70/320, 70/385 80/160, 80/205, 80/240, 80/280, 80/395 100/200, 100/260, 100/300, 100/415 125/250, 125/325, 125/440				
	Spool/sleeve	"C"-dynamic,	LSRM, Load Sensing, Reaction			
"F"-dynamic,		LS, Non-Reaction				
Actuation module	Type	PVES ²⁾	PVED CC		PVED CLS ³⁾	
	Connection	AMP (A)		DEUTSCH (D)		
Coil for control valve/pilot dump	Connection	AMP (A)		DEUTSCH (D)		
EH-directional spool	Cylinder flow, l/min	12	20	30	40	50
Priority valve	With spool, nominal flow, l/min	90				
	Spring force, bar	7		10		
	With out spool	No EF port present. P-flow determined by steering demand only				
Housing ¹⁾	Thread	Metric				
Relief valve	Bar	100 - 210				
Shock valves	Bar	160 - 260				

²⁾ Only available with DEUTSCH 6 pin connector

³⁾ Only available with DEUTSCH 12 pin connector

¹⁾ Housing, threads:

1) Housing threads

	P, T & EF	L & R	LS
Metric, ISO 6149-1	M 22 x 1.5 - O* + S**	M 18 x 1.5 - O* + S****	M 12 x 1.5 - O* + S**

* O-ring chamfer on port connection

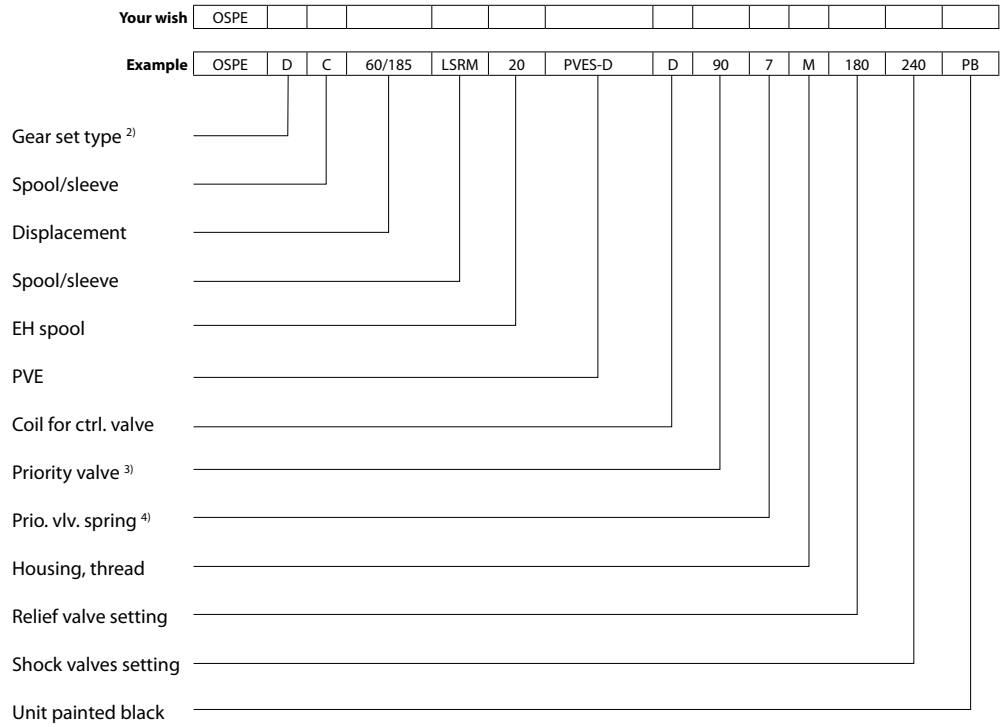
** Spot face around port connection

OSPEF w. displacement < 250 cc/rev. and integrated priority valve not to be used!

By experience we know the combination OSPEF with displacement < 250 cc/rev. and integrated priority may cause oscillations in steering system. Therefore do not specify such combinations. We recommend using OSPEC when displacement is smaller than 250 cc and if integrated priority valve is needed.

Specify your wish to the OSPE according to the destinations as in the example underneath the empty scheme:

Order specification



2) No designation for OSPE with single gear set

3) and 4) No designation for OSPE without priority valve

Code numbers

Code numbers for catalog versions with specifications:

Code numbers	Specifications according to above description format														
11081352	OSPE		C	100	LSRM	12	PVES-D	D				M	190	250	PB
11081366	OSPE		C	125	LSRM	12	PVES-D	D				M	190	250	PB
11081367	OSPE		C	160	LSRM	12	PVES-D	D				M	190	250	PB
11081369	OSPE		C	200	LSRM	20	PVES-D	D				M	190	250	PB
11081388	OSPE		C	250	LSRM	20	PVES-D	D				M	190	250	PB
11081389	OSPE		C	315	LSRM	30	PVES-D	D				M	190	250	PB
11081390	OSPE		C	400	LSRM	40	PVES-D	D				M	190	250	PB
11081391	OSPE		C	500	LSRM	40	PVES-D	D				M	190	250	PB

For weights, please see [Weights](#) on page 21.

Products we offer:

- Bent Axis Motors
- Closed Circuit Axial Piston Pumps and Motors
- Displays
- Electrohydraulic Power Steering
- Electrohydraulics
- Hydraulic Power Steering
- Integrated Systems
- Joysticks and Control Handles
- Microcontrollers and Software
- Open Circuit Axial Piston Pumps
- Orbital Motors
- PLUS+1® GUIDE
- Proportional Valves
- Sensors
- Steering
- Transit Mixer Drives

Danfoss Power Solutions is a global manufacturer and supplier of high-quality hydraulic and electronic components. We specialize in providing state-of-the-art technology and solutions that excel in the harsh operating conditions of the mobile off-highway market. Building on our extensive applications expertise, we work closely with our customers to ensure exceptional performance for a broad range of off-highway vehicles.

We help OEMs around the world speed up system development, reduce costs and bring vehicles to market faster.

Danfoss – Your Strongest Partner in Mobile Hydraulics.

Go to www.powersolutions.danfoss.com for further product information.

Wherever off-highway vehicles are at work, so is Danfoss. We offer expert worldwide support for our customers, ensuring the best possible solutions for outstanding performance. And with an extensive network of Global Service Partners, we also provide comprehensive global service for all of our components.

Please contact the Danfoss Power Solution representative nearest you.

Comatrol

www.comatrol.com

Schwarzmueller-Inverter

www.schwarzmueller-inverter.com

Turolla

www.turollaocg.com

Hydro-Gear

www.hydro-gear.com

Daikin-Sauer-Danfoss

www.daikin-sauer-danfoss.com

Local address:

Danfoss Power Solutions (US) Company
2800 East 13th Street
Ames, IA 50010, USA
Phone: +1 515 239 6000

Danfoss Power Solutions GmbH & Co. OHG
Krokamp 35
D-24539 Neumünster, Germany
Phone: +49 4321 871 0

Danfoss Power Solutions ApS
Nordborgvej 81
DK-6430 Nordborg, Denmark
Phone: +45 7488 2222

Danfoss Power Solutions Trading (Shanghai) Co., Ltd.
Building #22, No. 1000 Jin Hai Rd
Jin Qiao, Pudong New District
Shanghai, China 201206
Phone: +86 21 3418 5200

Danfoss can accept no responsibility for possible errors in catalogues, brochures and other printed material. Danfoss reserves the right to alter its products without notice. This also applies to products already on order provided that such alterations can be made without changes being necessary in specifications already agreed. All trademarks in this material are property of the respective companies. Danfoss and the Danfoss logotype are trademarks of Danfoss A/S. All rights reserved.