

Data Sheet

Joystick

JS120 Single Axis Fingertip



Mobile Machine Management

Danfoss joysticks are elements of the flexible, powerful, expandable, and affordable family of mobile machine management products.

Danfoss joysticks have been specially designed to provide proportional control in a compact package that meets the harsh operating requirements of today's mobile machine market.

Ergonomic and Precise Operation

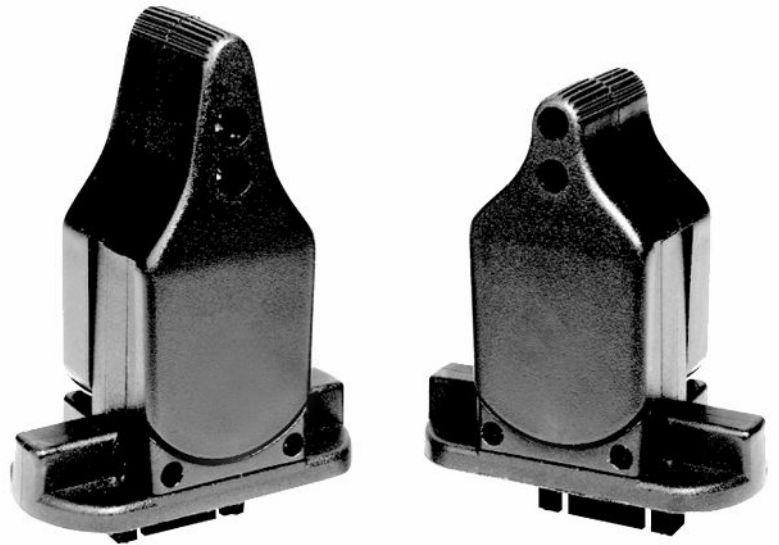
The JS120 was developed for applications where ergonomics and precise proportional control are required. The compact design provides smooth fingertip control with low operating forces that minimize repetitive stresses and operator fatigue.

Compact Design

The compact design of the JS120 is ideal for improving operator panel layouts, and installs easily into chest packs and seating arm rests.

Multi-function

The long life conductive plastic potentiometer technology used in the JS120 to provide the ratiometric sensor output, also incorporates direction switch outputs for independent forward and reverse signals.

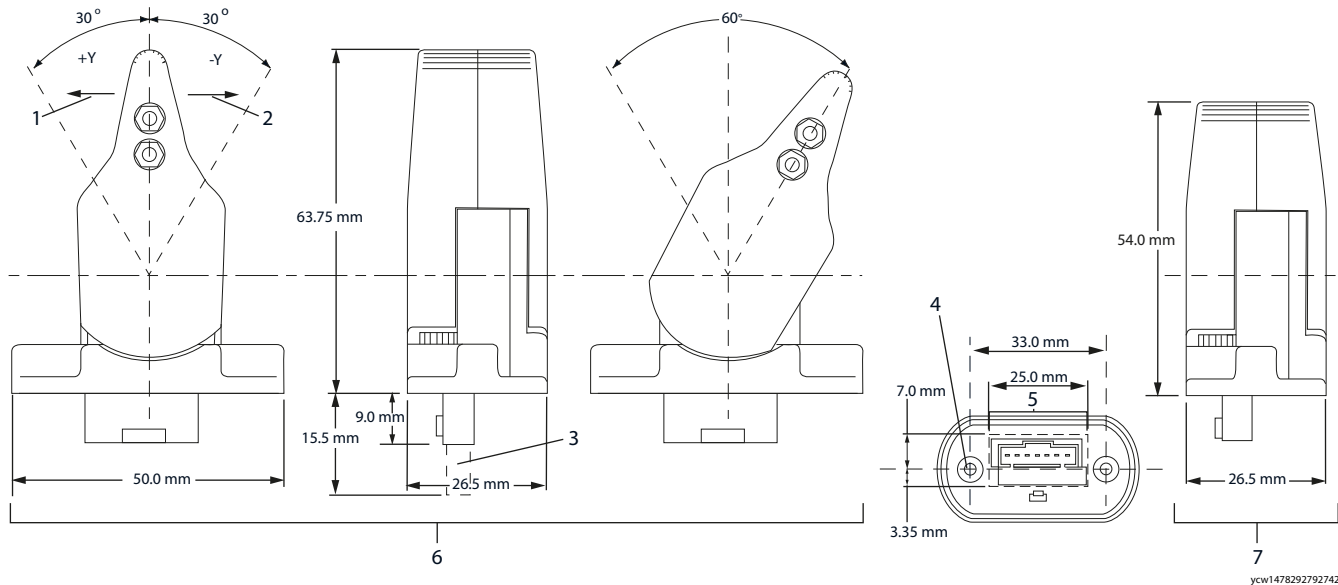


Features

- Long life potentiometric sensing
 - 10 to 90 % Vs
 - 25 to 75 % Vs
- Single axis
- Spring center return and end return options
- Slim profile with low operating forces
- Easy installation
- Operating life > 5 million cycles
- Output options
 - IP 66 environmental sealing above panel
 - Independent direction switch signals

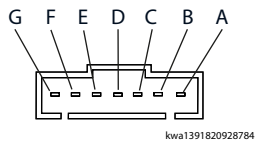
Comprehensive technical literature is online at www.danfoss.com

Dimensions



- 1. Forward
- 2. Backward
- 3. Connector
- 4. Panel clearance holes 3.10 mm
- 5. Panel cut out
- 6. Long lever
- 7. Short lever

Pin assignments (connector end view)



Connector



Pinout and wiring information

Pin	JS120-0002, 0003, 0005, 0006	JS120-0008, 0009, 0010, 0011
A	Center tap	Not used
B	(+) supply (power)	(+) supply (power)
C	Output voltage	Output voltage
D	(-) supply (ground)	(-) supply (ground)
E	Direction switch -Y (N/O)	Not used
F	Direction switch +Y (N/O)	Direction switch (N/O)
G	Direction switch common	Direction switch common

Mating connector – AMPMODU MTE series

Connector	AMP ordering number
7 pin latching male	103957-6

Mating connector assembly

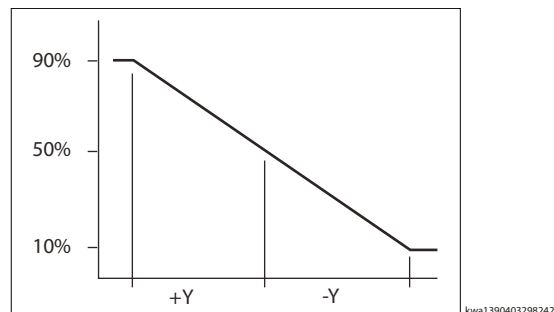
Type	Danfoss ordering number
7 pin with 610 mm [24.02 in] leads	162U1010

Marker on underside of mating connector indicates pin G

Electrical characteristics

Sensor type	Potentiometric
Electrical angle of movement center return	28° ± 1°
Electrical angle of movement end return	Start 2° ± 1°, end return full angle 56° ± 1°
Total track resistance	5 kΩ (± 20%)
Maximum supply voltage (Vs)	35 Vdc
Maximum wiper current	5 mA (non-destructive)
Maximum power dissipation	0.25 W at 20°C [68°F]
Wiper circuit impedance	200 kΩ minimum
Output voltage	10 to 90% Vs 25 to 75% Vs
Resolution	Infinite
Center tap voltage (no load)	50% Vs ± 2%
Center tap angle (center return)	± 2.5° either side of center (± 1° tolerance)
Insulation resistance	> 50 MΩ at 500 Vdc
Load resistance minimum	10 kΩ
Load current maximum	2 mA resistive

Output voltage curve



Mechanical characteristics

Description	Short lever	Long lever
Breakout force (at lever tip)	3.1 N [0.70 lbf]	2.3 N [0.52 lbf]
Operating force (at tip, full deflection)	5.1 N [1.15 lbf]	3.4 N [0.76 lbf]
Maximum allowable force	50 N [11.24 lbf]	35 N [7.87 lbf]
Lever operating angle	30° ± 1° center return 60° ± 1° end return	
Lever action	Self centering or end return	
Expected life	> 5 million cycles	
Weight	0.045 kg [0.099 lb]	

Environmental parameters

Operating temperature	-25°C to 70°C [-13°F to 158°F]
Storage temperature	-40°C to 85°C [-40°F to 185°F]
Environmental sealing above the flange	IP 66 above panel, IP 40 below panel

ENGINEERING
TOMORROW



Danfoss can accept no responsibility for possible errors in catalogues, brochures and other printed material. Danfoss reserves the right to alter its products without notice. This also applies to products already on order provided that such alterations can be made without subsequent changes being necessary in specifications already agreed.
All trademarks in this material are property of the respective companies. Danfoss and the Danfoss logotype are trademarks of Danfoss A/S. All rights reserved.
