

Data Sheet

Joystick

JS1 Heavy Duty Joysticks



Mobile Machine Management

The JS1 Heavy Duty Joysticks (JS1-H) portfolio is a modular joystick design that allows complete grip and base configuration for efficient control of any machine. The heavy duty design will result in extended life for years of reliable operation.

Five different heavy duty grips can be paired with the JS1-H base to offer the operator complete comfort. Each of the grips can be configured with a comprehensive portfolio of finger functions for true customization.

The JS1-H base incorporates proven Danfoss design elements and builds on the PLUS+1® architecture. Several options are available for the electrical and mechanical output so the joystick can be tailored for a positive human machine interaction. The JS1-H base is designed to be dependable and reliable for the extreme and harsh conditions of the mobile machine environment.



Features

- Hall effect with two sensors per axis or long life potentiometer position sensing
- Simultaneous operation of two proportional rollers
- Operator Presence switch
- CAN+
- Analog Category 1
- Analog Category 3
- PWM (programmable)

Options

Axis

- Dual Axis Spring Return
- Single Axis Spring Return
- Single Axis with Friction
- Dual Axis with one axis Spring, one axis Friction

Output options

- CAN J1939
- CANopen
- PVE
- CANalog

Ergonomic grip

- Right hand
- Left hand
- Ambidextrous (used with either the left or right hand)

On axis shaft, deflection

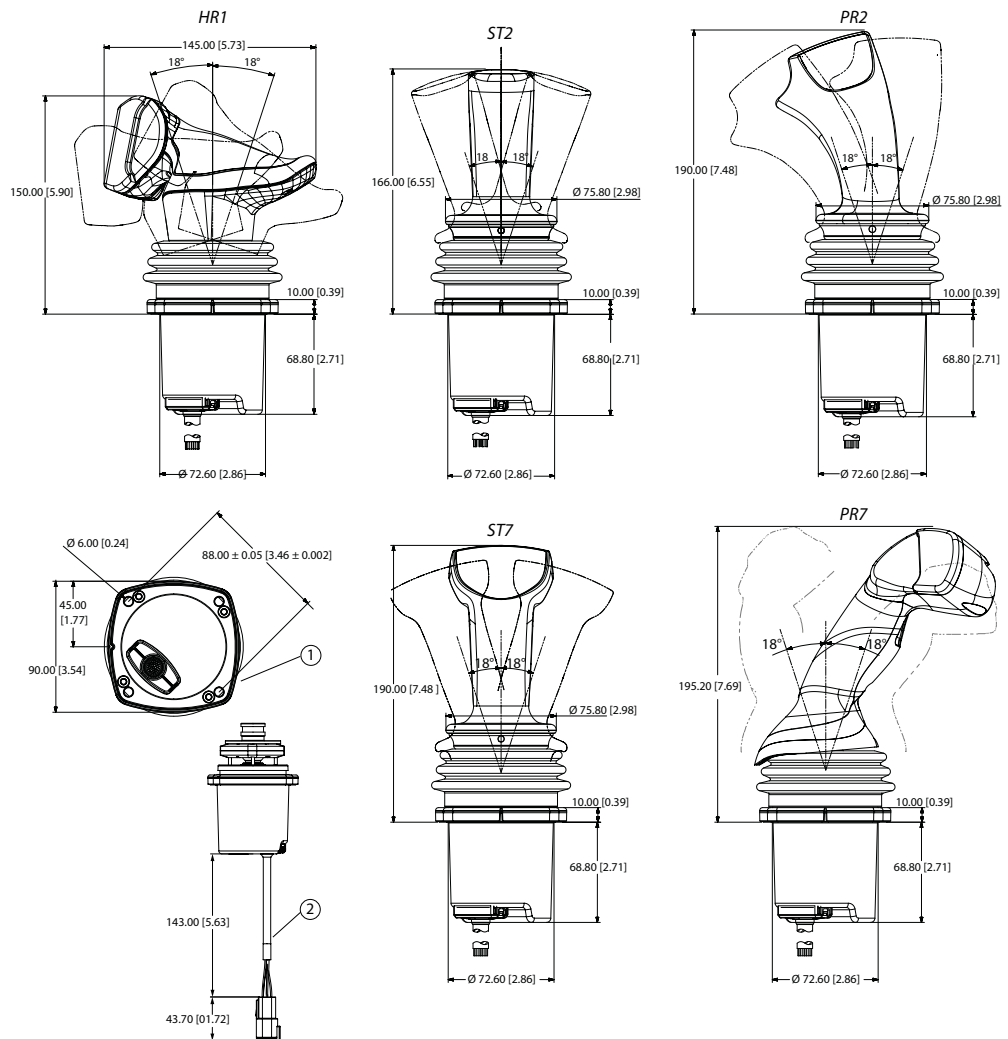
- $\pm 18^\circ$

JS1-H grips

- HR1
- ST2
- ST7
- PR2
- PR7

Comprehensive technical literature is online at www.danfoss.com

Data Sheet
JS1 Heavy Duty Joysticks



Dimensions in millimeters [inches]

1. Bottom view
2. Cable harness (included) based on specific options, see *JS1 Heavy Duty Joysticks Technical Information*, **BC00000347**

Spring return, base only

| Breakout load on axis | |
|---|--|
| Standard duty spring: 6 to 8.5 N (3.37 to 5.71 lbf) | Heavy duty spring: 12 to 19 N (2.698 to 4.271 lbf) |

Friction hold, base only

| Friction level | | Friction | Center detent |
|----------------|---------------------------|----------|---------------|
| A | Low friction-Low detent | 0.8 Nm | 1.5 Nm |
| B | Low friction-High detent | 0.8 Nm | 2.0 Nm |
| C | High friction-High detent | 1.6 Nm | 3.0 Nm |

Friction hold/Spring return, base only

| | Friction level | Spring type |
|---|----------------|-------------|
| E | A | Standard |
| J | A | Heavy |

Mechanical characteristics

| | |
|--------------------------------------|---|
| Shaft mechanical angle limits | ± 18° |
| Base mechanical life | Single axis with friction = 1 million full operating cycles |
| | Single axis and dual axis with spring return = 2.0 million full operating cycles |
| | Dual axis with spring in one axis, friction in one axis = 1 million full operating cycles |
| Maximum force on handle | 1000 N |
| Maximum torque | 15 Nm |
| Base only mass | 0.75 kg (1.65 lbf) |
| Weight (base without grip) | 725 G (1.8 lb) |
| Vertical maximum load | 2500 N (560 lbs) |

Electrical—PVE (Standard and Extended) characteristics

| | | | |
|--|------------------------------------|--|---------------|
| Supply voltages | U_{DC} | 9 to 36 V _{DC} | |
| Maximum current consumption | 8 A | | |
| Current consumption, no load | 150 mA | | |
| Maximum load for push buttons and directional switches for all proportional functions | 0.6 A | | |
| Neutral position switch | 3 A | | |
| Sensor type | Hall effect with redundant sensors | | |
| | Potentiometer | | |
| Signal voltage U_s | Minimum to maximum | 0.25 to 0.75 | |
| | Neutral position | 0.50 | |
| Signal load in neutral position | Load type | PVE | Other |
| | Load impedance | >6 kΩ | >15 kΩ |
| Signal current at maximum movement | U_{DC} = 12 V | 6 kΩ | 15 kΩ |
| | | ± 0.6 mA | 0.2 to 0.6 mA |
| | U_{DC} = 24 V | ± 1.2 mA | 0.4 to 1.2 mA |
| Signal current in neutral position | U_{DC} = 12 V | ± 0 mA | ± 0.4 mA |
| | U_{DC} = 24 V | ± 0 mA | ± 0.8 mA |
| Inverter | Non inverted | Output signal = U _s | |
| | Inverted | Output signal = -1 x (U _s - 0.5 x U ₊) + 0.5 x U ₊ | |

Electrical—PVE (Extended only) characteristics

| | | |
|--|-------------------------------------|-------------------------------|
| Signal regulation U_s | U_s Minimum (50%) | 0.37 to 0.63 at 100% movement |
| | U₊ Maximum (200%) | 0.25 to 0.75 at 50% movement |
| Dead band compensation | U_s Minimum | 0.00 |
| | U₊ Maximum | 0.06 |

Electrical—Analog Cat 1, Cat 3 characteristics

| | |
|----------------------------|--|
| Sensor type | Hall effect with redundant sensors |
| Supply voltage (Vs) | 4.5 to 5.5 V _{DC} |
| Output | 10 to 90% of input voltage |
| Output impedance | 1 mA max output current at 200 Ohm output impedance |
| Digital outputs | V _s -0.3 V _{DC} , maximum current 100 mA |



Electrical—CAN, CAN+, and CANalog characteristics

| | |
|---|--|
| Sensor type | Hall effect with redundant sensors |
| | Potentiometer |
| Resolution | 12 bit |
| Supply voltage (V_s) | 9 to 36 V _{DC} |
| Output | J1939 and CANopen protocols |
| Can+ Sensor Power | 5.0 V _{DC} +/- 5% at 250 mA |
| CANalog volt reference | 5.0 V _{DC} +/- 5% at 50 mA |
| Base maximum current consumption | 120 mA at 9 V |
| CANalog analog outputs | 0.5 to 4.5 V _{DC} at 1 mA max |

Electrical—PWM (programmable) characteristics

| | |
|-------------------------------------|------------------------------------|
| Sensor type | Hall effect with redundant sensors |
| | Potentiometer |
| Resolution | 12 bit |
| Supply voltage (Vs) | 9 to 36 Vdc |
| Current consumption, no load | 120 mA |
| Maximum current consumption | 15 A |
| Outputs (3 amps) | PWM(4) |
| | Digital(2) |

Environmental characteristics

| | | |
|---------------------------------------|--|------------------------------------|
| Operating temperature | CAN, CANalog, CAN+, Analog Cat1, Analog Cat3, PWM | -30° C to 80° C (-22° F to 176° F) |
| | PVE | -30° C to 70° C (-22° F to 158° F) |
| Storage temperature | -40° C to 85° C (-40° F to 185° F) | |
| EMI/RFI rating | 150 V/m | |
| Vibration | 25 G, 10 ms, 500 bumps in each of 6 directions IEC 60068-2-29 test Eb | |
| Shock | 50 G, 11 ms, 3 shocks in each of 6 directions IEC 60068-2-29 test Ea | |
| Ingress Protection (IP) rating | Up to IP 66 (dependent on grip sealing selected) | |

JS1-H part numbers, refer to: *JS1 Heavy Duty Joystick Family Technical Information*, **BC00000347**.

Danfoss connector bag assemblies part numbers (Must be ordered separately from joystick)

| Description | Danfoss part number |
|---|---------------------|
| One 6 pin DEUTSCH connector | 10101551 |
| Two 6 pin DEUTSCH connectors | 11177980 |
| Two 12 pin DEUTSCH connectors (GRY/BLK) | 10100945 |
| Two 12 pin and One 6 pin DEUTSCH connectors (GRY/BLK) | 11176538 |

Danfoss can accept no responsibility for possible errors in catalogues, brochures and other printed material. Danfoss reserves the right to alter its products without notice. This also applies to products already on order provided that such alterations can be made without subsequent changes being necessary in specifications already agreed. All trademarks in this material are property of the respective companies. Danfoss and the Danfoss logotype are trademarks of Danfoss A/S. All rights reserved.