



PLUS+1™ MC050-020 and MC050-022 Controllers

Mobile Machine Management

MC050-020 and MC050-022 controllers are elements of the flexible, powerful, expandable, and affordable PLUS+1 family of mobile machine management products. These devices are general-purpose controllers that are equally suited for use as members of a distributed machine control system, with intelligence in every node, or as stand-alone controllers.

Product Highlights

The MC050-020 employs a Digital Signal Processor (DSP), providing the controller with extremely fast single cycle processing speed and 256K internal flash. The MC050-022 has an application key that enables the use of Sauer-Danfoss developed GUIDE machine control solutions. The same GUIDE HWD file is used with both controllers.

Application Development

Users develop MC050-020 and MC050-022 applications with PLUS+1 GUIDE. This Microsoft® Windows® based development environment features a user-friendly, field proven, icon-based graphical programming tool, application downloader, and service/diagnostic tool.

Local Address:



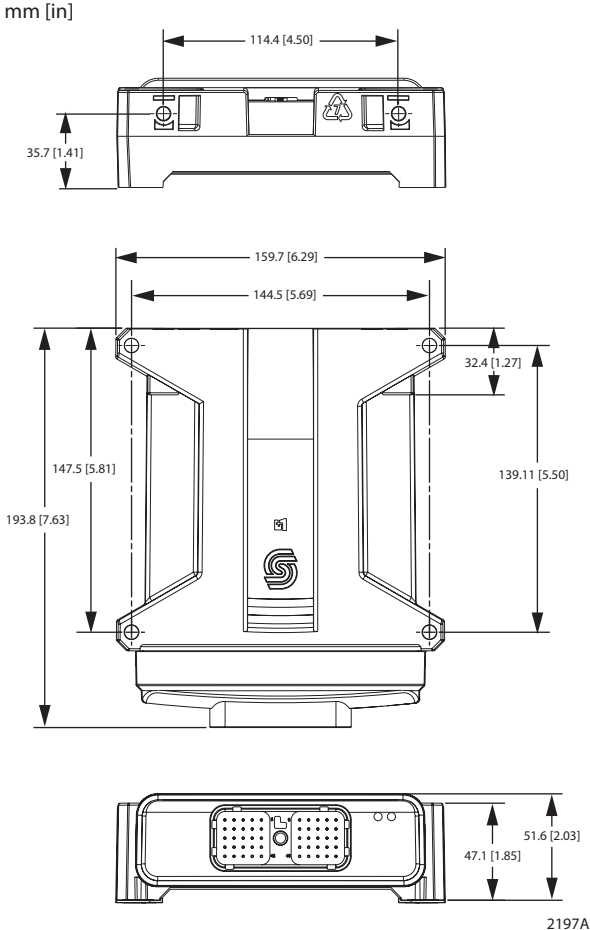
PLUS+1™
by SAUER-DANFOSS

MC050-020 and MC050-022 Controllers

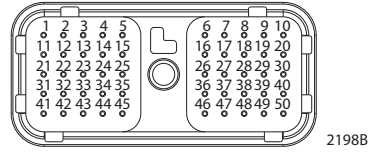
Features

- User-programmable with PLUS+1 GUIDE (Graphical User Integrated Development Environment)
- 50 pins: (1) Deutsch® DRC connector
- 32 bit fixed-point DSP running at 150 MHz
- 12 bit analog-to-digital converter
- 24 inputs
 - (6) universal (DIN/AIN/FreqIN) that are user-defined as either:
 - Analog:* with configurable ranges 0 to 5.25 Vdc (with over range protection) or 0 to 36 Vdc;
 - Digital:* pull up (5 Vdc), pull down (0 Vdc) or pull to center (2.5 Vdc);
 - Frequency (timing):* 1 Hz to 10 kHz
 - (10) digital (DIN) configurable as pull up (5 Vdc), pull down (0 Vdc) or pull to center (2.5 Vdc)
 - (4) digital/analog (DIN/AIN) that are user-defined as either:
 - Digital:* pull up (5 Vdc), pull down (0 Vdc) or pull to center (2.5 Vdc);
 - Analog:* 0 to 5.25 Vdc or 0 to 36 Vdc
 - (2) analog (AIN/Temp/Rheo) 0 to 5.25 Vdc or 0 to 10,000 ohm rheostat
 - (2) fixed range analog (AIN/CAN shield) 0 to 5.25 Vdc or CAN shield pin
- 14 outputs
 - (6) universal (PWMOUT/DOUT/PVGOUT) that are user-defined as either:
 - Digital:* (3 A), configurable as source or sink;
 - PWM:* (30 to 4000 Hz), configurable as open or closed loop with current control;
 - Analog voltage:* open loop PWM at 4000 Hz
 - Any PWMOUT/DOUT/PVGOUT can be used to provide reference power to one PVG valve
 - (6) digital (DOUT) (3 A), configurable as source only
 - (2) digital/PVG power supply (DOUT/PVG Pwr) (3 A), user-configurable; one DOUT/PVG Pwr will power up to three PVGs
- 9 to 36 Vdc power supply, monitored internally
- 2 CAN 2.0 B ports, the fixed range analog input can be configured as the shield pin
- Power supply for external sensors rated at 5 Vdc to 500 mA, and regulated internally
- 2 LEDs under user control
- 3 mounting alternatives: stack, end, or side
- MC050-022 contains application key required to run Sauer-Danfoss developed machine control application software
- CE compliant

MC050-020 and MC050-022 Mounting Dimensions and Pin Assignments



MC050-020 and MC050-022 50 Pin Connector



Connector

Pin	Controller function	Pin	Controller function
C1-P1	Power ground -	C1-P26	DIN/AIN/FreqIN
C1-P2	Power supply +	C1-P27	DIN/AIN/FreqIN
C1-P3	CAN0 +	C1-P28	DIN/AIN/FreqIN
C1-P4	CAN0 -	C1-P29	DIN/AIN/FreqIN
C1-P5	AIN/CAN0 shield	C1-P30	DIN/AIN/FreqIN
C1-P6	DIN	C1-P31	AIN/Temp/Rheo
C1-P7	DIN	C1-P32	AIN/Temp/Rheo
C1-P8	5 Vdc sensor power +	C1-P33	DOUT
C1-P9	Sensor power ground -	C1-P34	DOUT
C1-P10	DIN	C1-P35	DOUT
C1-P11	DIN	C1-P36	DOUT
C1-P12	DIN	C1-P37	DOUT
C1-P13	DIN	C1-P38	DOUT
C1-P14	DIN	C1-P39	DOUT/PVG Pwr
C1-P15	DIN	C1-P40	DOUT/PVG Pwr
C1-P16	DIN	C1-P41	PWMOUT/DOUT/PVGOUT
C1-P17	DIN	C1-P42	PWMOUT/DOUT/PVGOUT
C1-P18	DIN/AIN	C1-P43	PWMOUT/DOUT/PVGOUT
C1-P19	DIN/AIN	C1-P44	PWMOUT/DOUT/PVGOUT
C1-P20	CAN1 +	C1-P45	PWMOUT/DOUT/PVGOUT
C1-P21	CAN1 -	C1-P46	PWMOUT/DOUT/PVGOUT
C1-P22	AIN/CAN1 shield	C1-P47	Power supply +
C1-P23	DIN/AIN	C1-P48	Power supply +
C1-P24	DIN/AIN	C1-P49	Power supply +
C1-P25	DIN/AIN/FreqIN	C1-P50	Power supply +

⚠ Caution
PCB damage may occur. All device power supply + pins must be connected to battery +.

⚠ Caution
This device is not field serviceable. Opening the device housing will void the warranty.

Specifications

Product Parameters

Supply voltage	9 to 36 Vdc
Operating temperature (ambient)	-40°C to 70°C [-40°F to 158°F]
Storage temperature	-40°C to 85°C [-40°F to 185°F]
Programming temperature	0°C to 70°C [32°F to 158°F]
IP rating (with mating connector attached)	IP 67
EMI/RFI rating	100 V/M
Weight	0.53 kg [1.16 lb]
Vibration	IEC 60068-2-64
Shock	IEC 60068-2-27 test Ea
Maximum current, sourcing	40 A
Maximum current, sinking	8 A

Use care when wiring mating connector.
Above pinouts are for device pins.

Product Part Number

MC050-020	10100994
MC050-022	11013735

Related Products Part Numbers

CG150 CAN/USB Gateway	10104136	
Deutsch® mating connector bag assembly	10102024 (16 to 20 AWG)	10100946 (20 to 24 AWG)
PLUS+1 GUIDE single user license	10101079	

Comprehensive technical information:
PLUS+1 Controller Family Technical Information, 520L0719
MC050-020 Application Program Interface (API) 10102372.doc
Sauer-Danfoss product literature on line at:
www.sauer-danfoss.com