



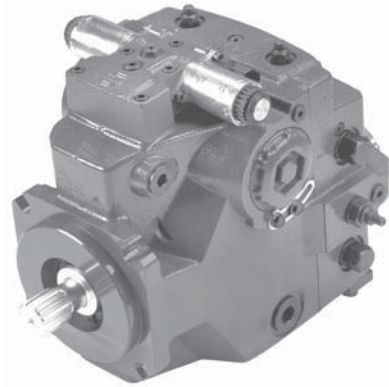
H1-The new Generation of Hydrostatics 060/068 cm³ Single Pumps

Introduction

For more than 40 years, Sauer-Danfoss has been developing state-of-the-art components and systems for mobile machinery used in off-highway operations around the world. We have become a preferred supplier by offering the best of what really matters: The hardware inside your vehicle application. H1 - our new generation of servo-controlled hydrostatic pumps - is no exception.

The H1 range is built around an advanced electrical control and available in a wide range of displacements. It is designed for quality and reliability and offers expanded functionality, greater total efficiency, and easy installation.

All H1 control and sensor options are PLUS+1 Compliant. PLUS+1 allows you to rapidly develop and customize electronic machine control. It opens up the future by combining machine controls and diagnostics in an integrated operating network.



*H1 Axial piston pump
Size 060/068 single pump*

Features

- **Designed for quality and reliability**
 - One design concept
 - Single piece swash plate
- **Installation and packaging benefits**
 - Length optimized pump
 - Minimum one clean side
 - Higher corner power
 - Higher package size ratio
 - Standardized connector interface
 - Expanded functionality through PLUS+1
- **Optimized for electrical control**
 - Electro-hydraulic control options include Electrical Displacement Control (EDC), Forward-Neutral-Reverse (FNR) and Non-Feedback Proportional Electric (NFPE)
 - Common control across entire family
- **Expanded functionality**
 - PLUS+1 Compliant control and sensor options
 - Integral filtration available with integrated filter bypass sensors and switch
- **Greater total efficiency**
 - Minimized control losses
 - Improved charge circuit
 - Lower control pressure for less power consumption

Local Address:

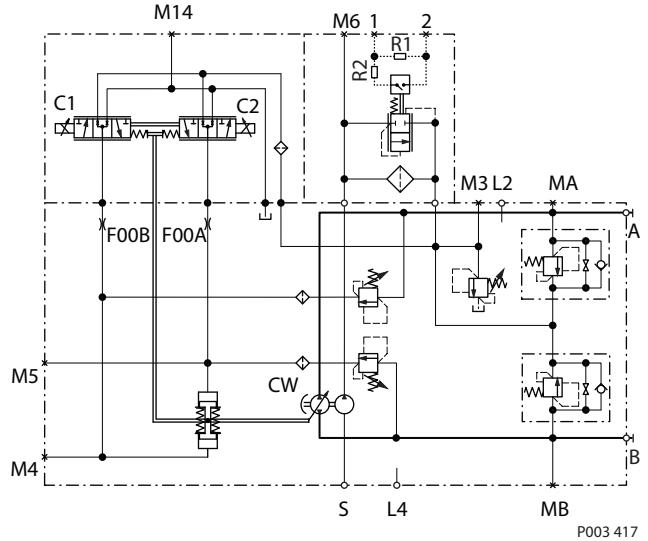
Technical Specifications

Physical properties

Features	Unit	Sizes	
		060	068
Displacement	cm ³ [in ³]	60.4 [3.69]	68.0 [4.15]
Weight (without PTO and filter)	kg [lb]	50 [110]	
Operating parameters			
Input speed	Minimum	min-1 (rpm)	500
	Rated		3500
	Maximum		4000
System pressure	Maximum working pressure*	bar [psi]	420 [6090] 380 [5510]
	Maximum pressure		450 [6525] 400 [5800]
	Minimum low loop		10 [150]
Case pressure	Rated	bar [psi]	3.0 [40]
	Maximum		5.0 [75]

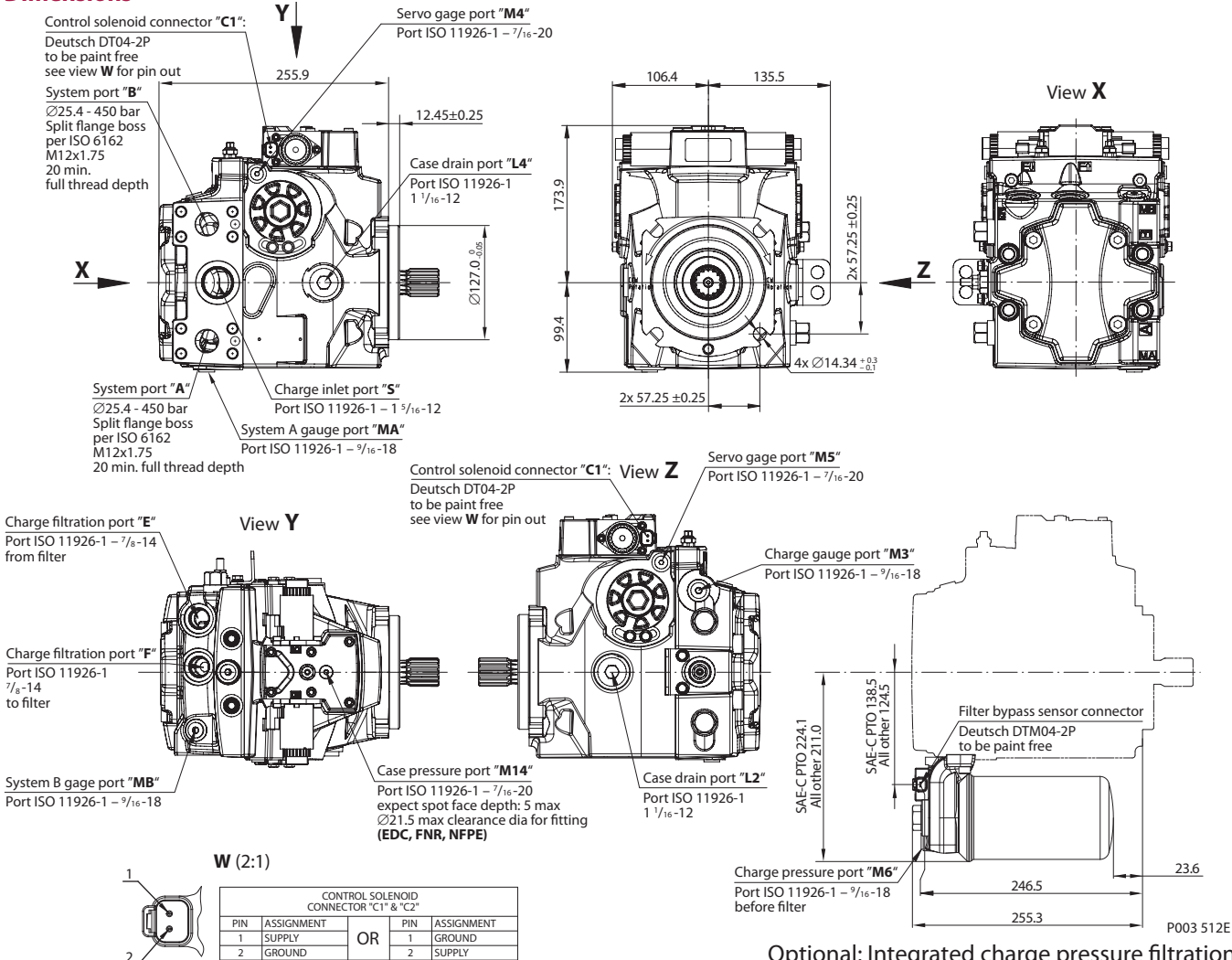
* Applied pressures above maximum working pressure requires Sauer-Danfoss application approval.

Schematic



Dimensions

T301 052E



Optional: Integrated charge pressure filtration