



H1B-The new Generation of Hydrostatics 110 cm³ Bent Axis Variable Motor

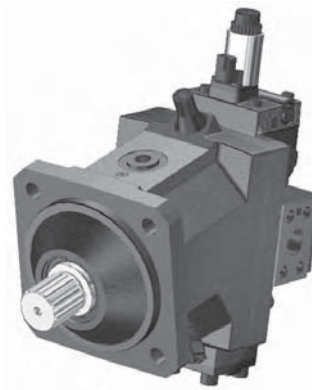
Introduction

For more than 40 years, Sauer-Danfoss has been developing state-of-the-art components and systems for mobile machinery used in off-highway operations around the world. We have become a preferred supplier by offering the best of what really matters: The hardware inside your vehicle application.

H1 - our new generation of servo-controlled hydrostatic pumps and bent axis variable motors - is no exception. The H1 range is built around an advanced electrical control and available in a wide range of displacements. It is designed for quality and reliability and offers expanded functionality, greater total efficiency, and easy installation.

All H1 control and sensor options are PLUS+1 Compliant. PLUS+1 allows you to rapidly develop and customize electronic machine control. It opens up the future by combining machine controls and diagnostics in an integrated operating network.

Local Address:



H1B Bent Axis Variable Motor
Frame Size 110

Features

- **Designed for quality and reliability**
 - Proven and optimized 9 piston rotating group
 - Single piece housing
 - Electric components with IP67 & IP69K rating
- **Installation and packaging benefits**
 - Optimized for shortest length
 - Standardized connector interface
 - Integrated loop flushing device
 - Radial or axial high pressure ports
- **Optimized for electric control**
 - Electric Two-position Control
 - Pressure Compensator Override
 - Proportional Pressure Compensator Override
 - Brake Pressure Defeat option
 - Electric Proportional Control
 - Pressure Compensator Override
 - Brake Pressure Defeat option
 - Common controls across the entire motor family
 - Plus+1 Compliant control and sensor options
- **Expanded functionality**
 - Zero degree capability in conjunction with unchanged 32 degree feature
 - Enhanced control functions with proportional controls de-energized at minimum or maximum displacement
 - Optional integrated speed sensor with
 - Dual redundant speed sensing
 - Direction indication
 - Temperature sensing
 - Wire fault detection
- **Greater total efficiency**
 - Minimized losses
 - Improved at high flow conditions

Technical Specifications

Physical Properties

Features	Units	Frame Size
Displacement	cm ³ [in ³]	110 [6.71]
Weight		
SAE ISO 3019/1	kg [lb]	48.8 [108]
DIN ISO 3019/2		45.0 [99]
Cartridge		41.8 [92]

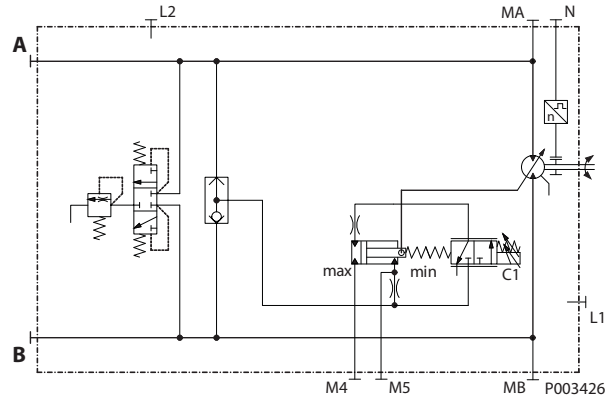
Weight with Electric Proportional Control

Operating Parameters

Output Speed	Rated	at max. displacement	min-1 [rpm]	2900
		at min. displacement (6°)		4800
	Maximum	at 0° displacement		5350
		at max. displacement		3700
		at min. displacement (6°)		5950
System Pressure	Working	bar [psi]	450 [6527]	
	Maximum		480 [6960]	
	Min. low loop		7.5 [109]	
Case Pressure	Rated	3 [44]		
	Maximum	5 [73]		
	Minimum	0.3 [4]		

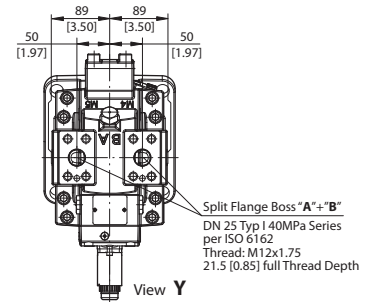
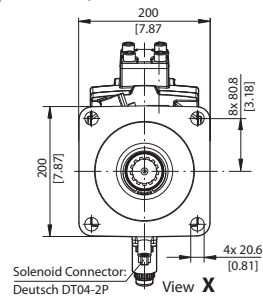
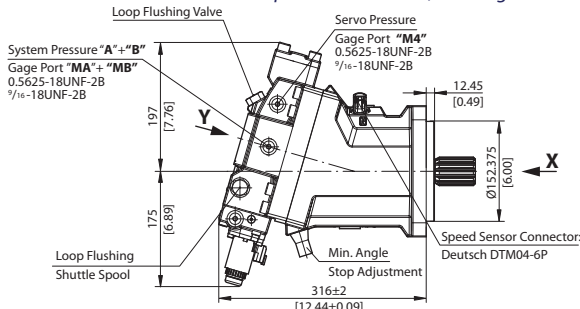
Schematic (example)

Electric Proportional Control
(de-energized = max. displacement)

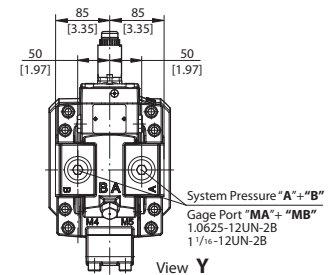
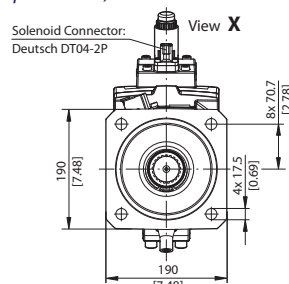
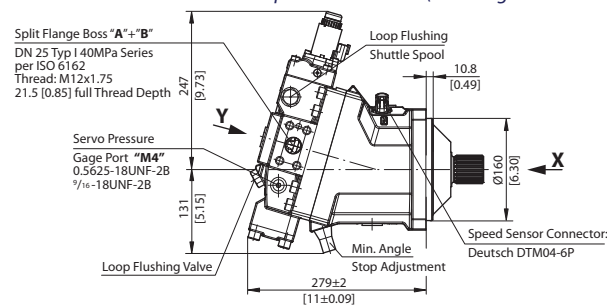


Installation Drawings

SAE ISO 3019/1 with Electric Proportional Control (de-energized = max. displacement)



DIN ISO 3019/2 with Electric Proportional Control (de-energized = min. displacement)



Cartridge with Electric Two-Position Control (de-energized = min. displacement) Pressure Compensator Override, Brake Pressure Defeat

