



## H1-The new Generation of Hydrostatics 060 cm<sup>3</sup> Bent Axis Variable Motor

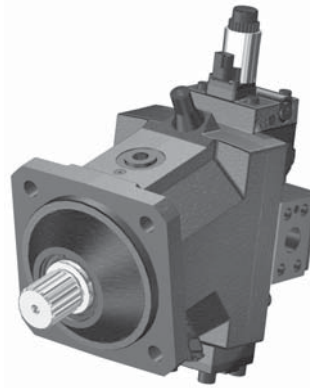
### Introduction

For more than 40 years, Sauer-Danfoss has been developing state-of-the-art components and systems for mobile machinery used in off-highway operations around the world. We have become a preferred supplier by offering the best of what really matters: The hardware inside your vehicle application.

H1 - our new generation of servo-controlled hydrostatic pumps and bent axis variable motors - is no exception. The H1 range is built around an advanced electrical control and available in a wide range of displacements. It is designed for quality and reliability and offers expanded functionality, greater total efficiency, and easy installation.

All H1 control and sensor options are PLUS+1 Compliant. PLUS+1 allows you to rapidly develop and customize electronic machine control. It opens up the future by combining machine controls and diagnostics in an integrated operating network.

Local Address:



H1 Bent Axis Variable Motor  
Size 060

### Features

- **Designed for quality and reliability**
  - Proven and optimized 9 piston rotating group
  - Single piece housing
  - Electric components with IP67 & IP69K rating
- **Installation and packaging benefits**
  - Optimized for shortest length
  - Standardized connector interface
  - Integrated loop flushing device
  - Radial or axial high pressure ports
- **Optimized for electric control**
  - Electric Two-position Control
    - Pressure Compensator Override
    - Proportional Pressure Compensator Override
    - Brake Pressure Defeat option
  - Electric Proportional Control
    - Pressure Compensator Override
    - Brake Pressure Defeat option
  - Common controls across the entire motor family
  - Plus+1 Compliant control and sensor options
- **Expanded functionality**
  - Zero degree capability together with a high performance 32 degree maximum angle
  - Enhanced control functions with proportional controls de-energized at minimum or maximum displacement
  - Optional integrated speed sensor with
    - Dual redundant speed sensing
    - Direction indication
    - Temperature sensing
    - Wire fault detection
- **Greater total efficiency**
  - Minimized losses
  - Improved at high flow conditions

### Technical Specifications

#### Physical Properties

Features	Units	Size 060
Displacement	cm <sup>3</sup> [in <sup>3</sup> ]	060 [3.66]
<b>Weight (with Electric Proportional Control)</b>		
SAE ISO 3019/1	kg [lb]	29.8 [65.8]
DIN ISO 3019/2		28.3 [62.5]
Cartridge		26.9 [59.4]

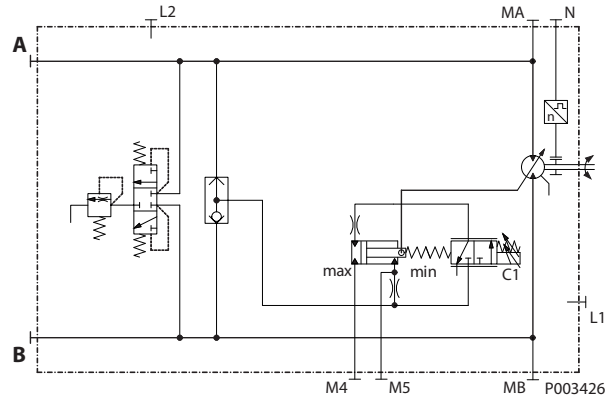
#### Operating Parameters

Output speed min-1 [rpm]	Rated	at max. displacement	3600
		at min. displacement (6°)	5900
	Maximum	at max. displacement	4500
		at min. displacement (6°)	7000
System pressure bar [psi]	Working	450 [6527]	
	Maximum	480 [6960]	
	Min. low loop	7.5 [109]	
Case pressure bar [psi]	Rated	3 [44]	
	Maximum	5 [73]	
	Minimum	0.3 [4]	

#### Schematic (example)

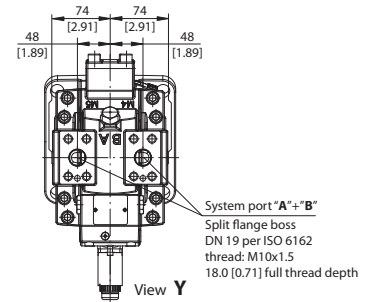
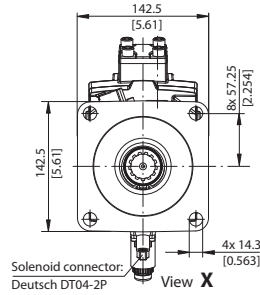
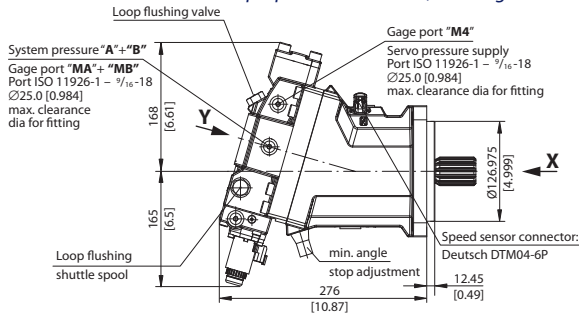
#### Electric Proportional Control

(de-energized = max. displacement)

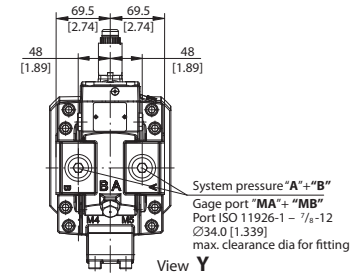
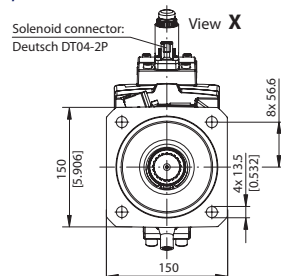
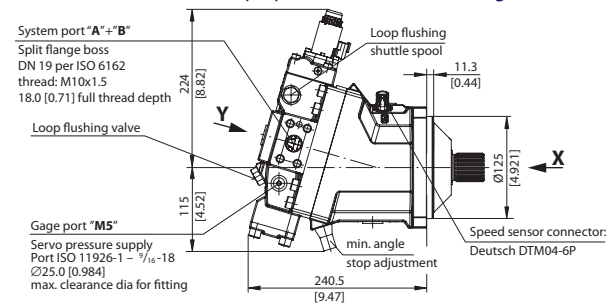


### Installation Drawings

#### SAE ISO 3019/1 with Electric proportional control (de-energized = max. displacement)



#### DIN ISO 3019/2 with Electric proportional control (de-energized = min. displacement)



#### Cartridge with Electric two-position control (de-energized = min. displacement)

Pressure compensator override, Brake pressure defect

