

CCC 102 Color Camera

Introduction

When connected to a DP600 series graphical display terminal, the CCC 102 Color Camera provides clear and precise video monitoring for your mobile applications.



CCC 102 Color Camera

Features

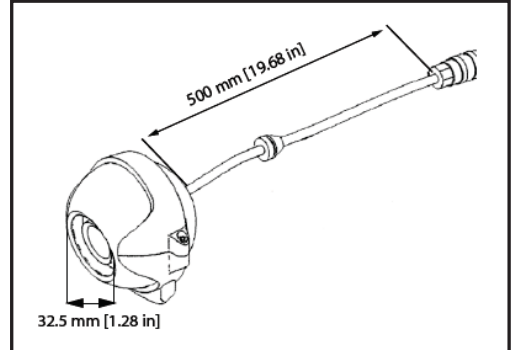
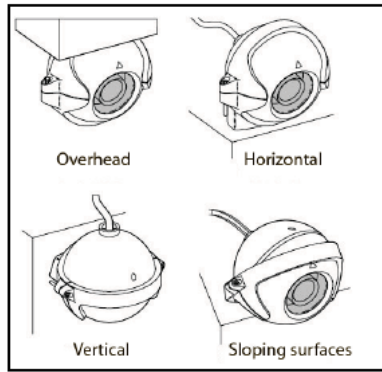
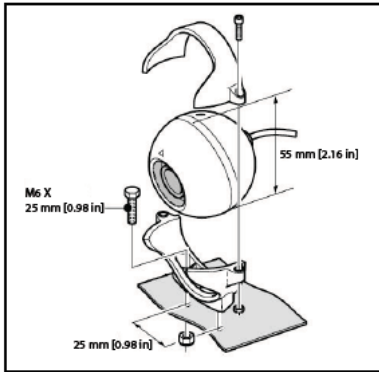
- Compact design- fits easily in small spaces
- Shockproof, vibration resistant and corrosion resistant camera housing
- Chemically hardened glass resists breakage, scratches and damage
- Auto-activated heated lens prevents frost and fogging

Technical Data

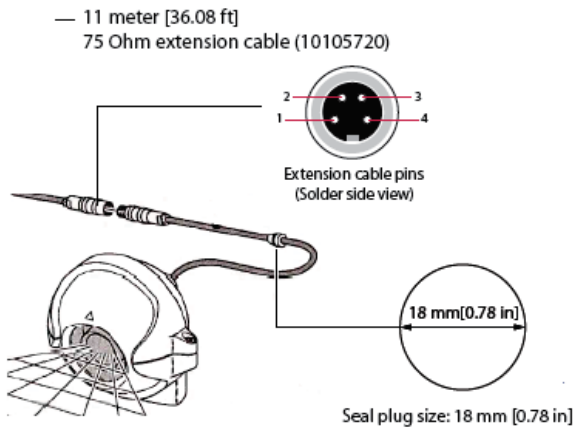
Camera/ Video	Recording Element	Color ¼ inch solid state CCD (Charge Coupled Device)
	Pixels	542•586 (H•W)
	TV System Type	PAL video standard
Lens/ Glass	Lens Type	2.1 mm[0.08 in], fixed focal length Minimum object distance: 0.1 m [3.93 in]
	Lens Glass	Chemically hardened and tempered float glass
	Field of Vision	102°width field of vision Max mounting bracket angle: ± 95° horizontal, ± 71° vertical
	Light Sensitivity	0.5 lux (at f1.2, 5600k)
Housing/ Hardware	Housing	Gas filled anodized black aluminum UV resistant; Light fastness: >8 DIN 50021 salt spray tested Waterproof to 25m [82.02 ft] Able to withstand high-pressure cleaning (according to SAE J1455 & IP69 rating)
	Extension Cable	11m [36.08 ft.] 75 Ohm cable with 4 pin female connector Cable weight: 1.22 kg [2.69 lb]
	Shock & Vibration	15g rms (with bracket attached) post-thermal cycle 24–2000Hz random
	Weight	230g [8.11 oz] (with bracket) 300g [10.58 oz] total shipping weight
Power/ Temp	Power Input	11.1–16.1V DC Camera will not function below 10V DC Extreme voltage protection to 28V DC
	Power Consumption	Heating off: 100mA Heating on: 250mA (heating activated at <15°C [59°F])
	Connectors	0.5m cable with 4–pin male connector (camera power input and video output) IP69 rated connector
	Operating Temperature	–40°C – 75°C [–40°F – 167°F]

Local Address:

Installation and Mounting Information



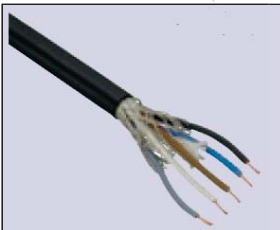
Pin Breakout



Camera Connector Cable Pin Breakout

Pin Number	Wire Color	Description
1	Coaxial core	PAL video signal
2	Coaxial screen	Video ground
3	Red	12V DC feed
4	Black	Ground feed

10105720 Extension Cable Wiring Specification



Cable Color Coding

Item	Description
1	white
2	brown
3	black
4	blue
5	grey

10105720 Extension Cable Specifications

Item	Description
Wire gauge	5 x 0.25 mm ²
Composition	14 x 0.15 Cu
Resistance	75 Ω
Insulation	PVC
Temperature range	-5°C – 70°C [23°F– 158° F]

Ordering Information

CCC102 Color Camera and related accessories

CCC102 Camera	10100831
CCC102 Extension cable (11 m)	10105720
Mating Binder connector	10105940

Note: This camera should only be used as a visual aid and never as a stand-alone safety device. Sauer-Danfoss assumes no liability for damages caused by misinterpretation, defects or improper functioning.