



DP210 Series Graphical Terminals

Introduction

The Sauer-Danfoss PLUS+1 compliant DP210 series of graphical terminals provide high quality, cost effective performance solutions to fit the needs of today's mobile machines.

The DP210 Series features a USB mini-B connection at the front of the display. This port allows full access to all devices on the machine CAN network via the PLUS+1 GUIDE Service Tool.

Large function-programmable buttons provide tactile feedback. The high resolution display is viewable in a wide range of lighting conditions. Backlight and contrast settings are adjustable.

The DP210 series of graphical displays feature robust mechanical, electrical and ingress protection specifications that meet the demands of mobile machine operation.

Local Address:

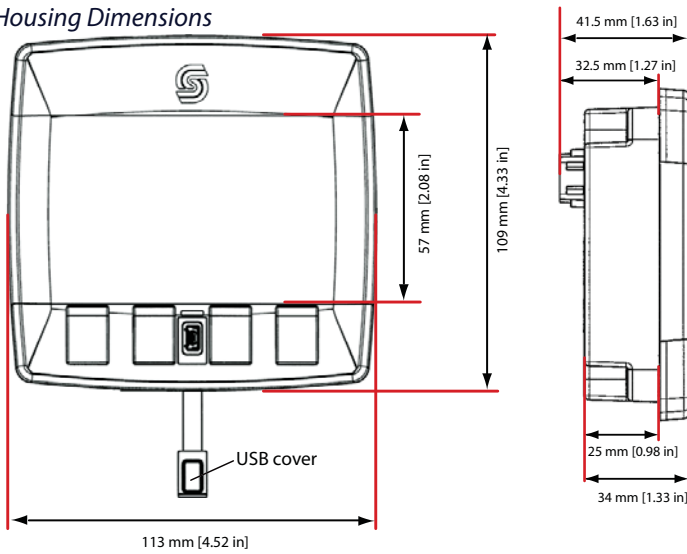


DP210 Series Graphical Terminal

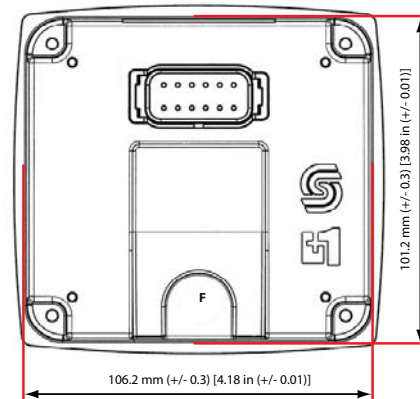
Features (Model Dependent):

- High resolution grayscale LCD display
- 4 programmable soft keys
- 2 red, 2 green, 2 amber software controlled LEDs
- 2 CAN 2.0B ports
- 1 fixed-range analog input
- 2 digital/analog/frequency/current/ rheostat inputs
- 1 (0.5A) digital output
- Real time clock
- USB 2.0 port with mini-B connector
- PLUS+1™ GUIDE programmable
- J1939 engine monitor software package (requires application key)
- Data logging capability
- Rugged IP 54 rating class housing
- Integrated Deutsch™ connector
- Extended temperature performance range
- CE and E marked
- Mounting hardware and panel seal gasket included

Housing Dimensions



Mounting Panel Cutout Dimensions



DP210 models carry and IP54 ingress rating. The USB cover must be in place for full IP 54 protection. DP210 models are recommended for in-cab use only.

DP210 Series Model Code

A Model Name	DP210 Graphical Display with Integrated USB Port
B Inputs/Outputs	04 2 CAN ports, 2 Multifunction
C Real Time Clock/ Low Temperature Functionality	01 RTC and LTF
D Flash Memory/Application Key	02 2MB without Application Key 03 2MB with Application Key
E Application Log	04 2 MB
F USB Port Type	01 USB Device

DP210 Series Product Parameters

DP210 Series	
Processor	ARM 7 core, 32 bit/ 60 MHz
RAM	64KB on-chip, 1MB on board
FRAM	16 KB
Power Supply	9-63 Vdc/6.5 Watts
Connector	Deutsch DTM-12
Type	LCD with 32 grayscale levels
Resolution	160 x 240 pixels
Viewable Area	80 mm x 55 mm [3.15 x 2.16]
IP Rating	IP54 (USB cover must be in place)
Operation Temperature	-40 °C — +70°C [-40°F — +158°F]
Storage Temperature	-40 °C — +85°C [-40°F — +176°F]
Weight	250 g [0.5 lb]
Vibration/Shock	5g/ 100g
EMC/ESD	100V/m / 15kV
Digital Output (0.5A)	1



DP210 Series Available Models

DP210-04-01-02-04-01	10106884
DP210-04-01-03-04-01	10107383

DP210 Series Related Products Part Numbers

Deutsch Mating Connector Bag Assembly (16-20 AWG)	10102025
Deutsch Mating Connector Bag Assembly (20-34 AWG)	10100944
DP2XX Mounting Hardware Replacement Kit	10107264
PLUS+1 GUIDE Single User License	10101000
DP210 Panel Seal Replacement Gasket	10105916

DP210 Series USB mini-B connector pin out information

1	VBUS
2	Data -
3	Data +
4	NC
5	Ground

DP210 Series Deutsch 12-pin connector pin out information

1	Power ground-
2	Power supply+
3	CAN 0 High
4	CAN 0 Low
5	AIN/ CAN Shield
6	N/A
7	N/A
8	CAN 1 High
9	CAN 1 Low
10	DIN/AIN/FREQ IN/ CURRENT IN, RHEOSTAT
11	DIN/AIN/FREQ IN/ CURRENT IN, RHEOSTAT
12	DOUT (0.5A)

Use care when wiring mating connector. Diagrams show device pins.